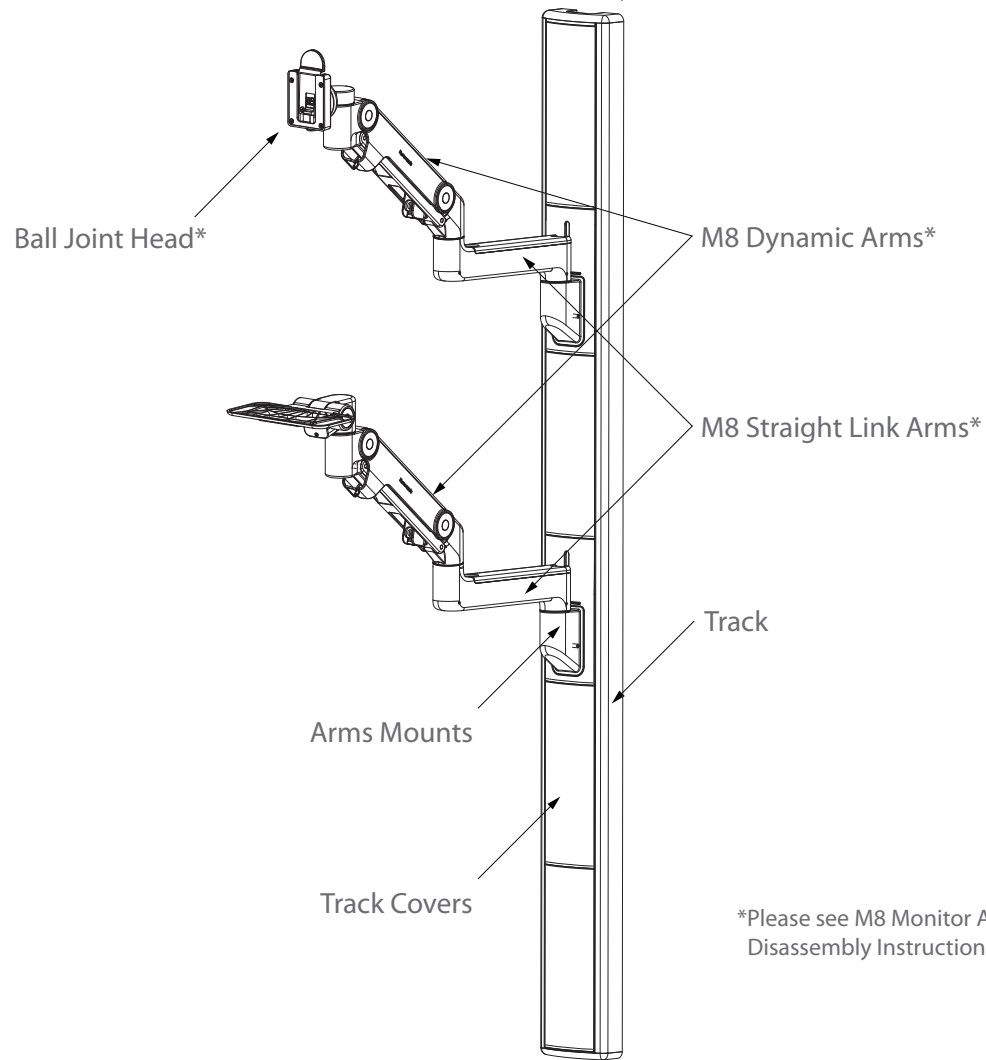


Components for Breakdown



*Please see M8 Monitor Arm Disassembly Instructions

Tools Required



Safety Glasses



Metric Hex Key Set

Tools Required



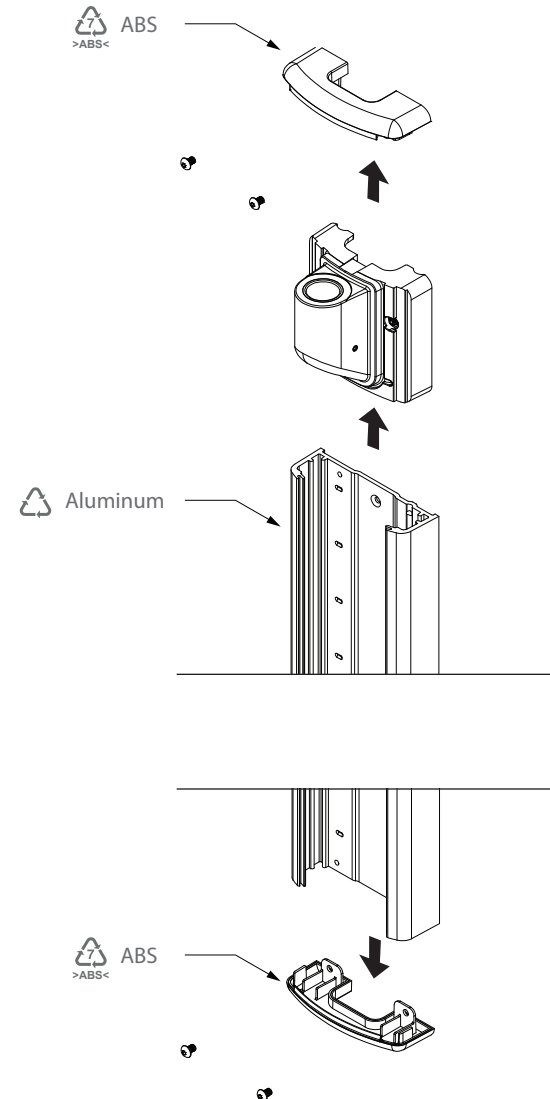
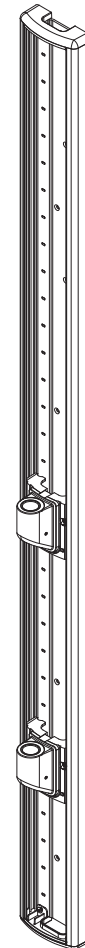
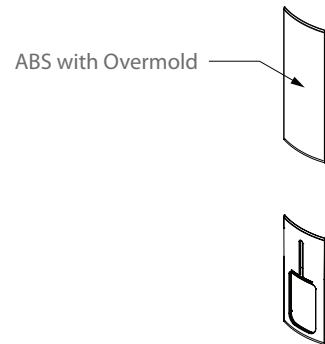
Safety Glasses



Metric Hex Key Set

1. V6 Track

- Step 1
Remove all plastic track covers.
- Step 2
Remove screws from end caps.
- Step 3
Loosen screws to remove mount.
- Step 4
Slide off track.



Tools Required



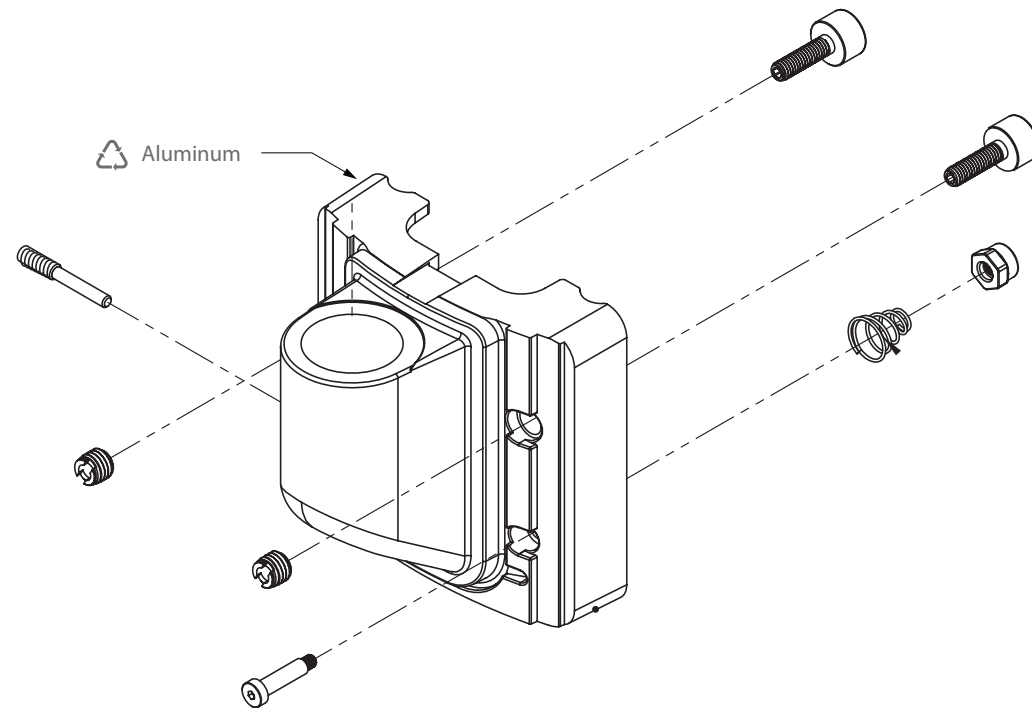
Safety Glasses



Metric Hex Key Set

2. M8 Arm Mount

Remove all screws



Tools Required



Safety Glasses



Metric Hex Key Set

4. Accessory Mount

Remove all screws

