



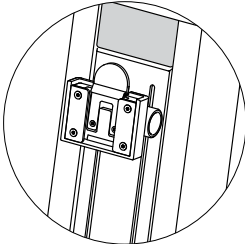
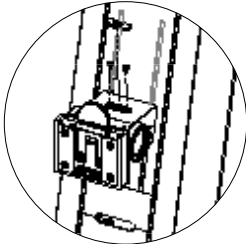
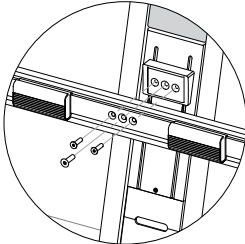
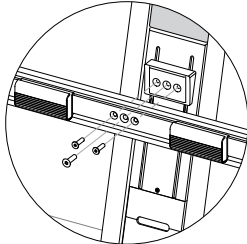
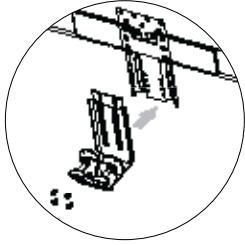
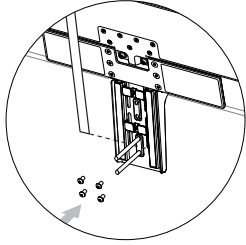
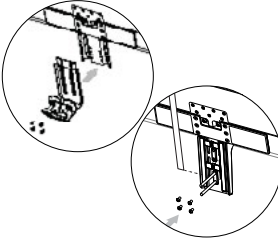
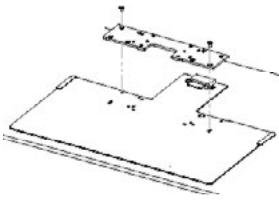
QuickStand™ Technical Specifications

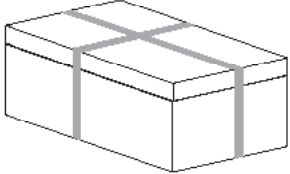

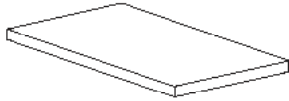
Designed by Humanscale, the QuickStand height-adjustable workstation is a unique sit/stand product that encourages users to be active and easily integrate vital movement into their workdays. Extremely solid and stable, QuickStand features a concealed cable management system that can be fitted with one of four custom-made cable harnesses. Offering a sleek profile and a versatile array of mounting options, QuickStand seamlessly transforms any home or office fixed-height desk into an active one.

- **Solid, stable product**
- **Clean visual aesthetic**
- **Easy to operate**

-
- Designed with a large platform that seamlessly blends into the work surface
 - Sized cable harness installs in less than 5 minutes.
Click here to watch the video:
<http://player.vimeo.com/video/168993542>
 - Fully integrated cable management
 - Two USB outlets for keyboard/mouse
 - 18" (460 mm) platform height adjustment
 - 5" (127 mm) single/dual monitor height adjustment
 - Three mounts to cover all desking needs:
Freestanding, Clamp, Grommet/Bolt



Product Group	QUICKSTAND			
Weight Capacity	All QuickStand Models have a total weight capacity up to 35 lbs. Total weight capacity is the weight placed on the work surface and the monitor mounts. Note: Refer to the Monitor Mount section for monitor mount weight capacities.			
Color Options	 White with Gray - Code W		 Black with Gray Code B	
Monitor Mount Style Options	 Light duty Monitor Mount (code L): for screens up to 11 lbs. Screen height adjustment 5". Adjusted by pulling the screen up and down. Tilt tension is pre-set and not adjustable.	 Heavy Monitor Mount (Code H): for screens up to 30 lbs. Screen height adjustment 5". Adjusted manually with a 6mm allen wrench. Monitor tilt tension is adjustable for monitors 5–30 lbs.	 Standard Crossbar Monitor Mount (code C): for two monitors up to 15 lbs each. Total combined weight limit 30 lbs. Screen height adjustment 5" adjusted manually with a 6mm allen wrench. Maximum horizontal width of the screens is 24" (610 mm).	 Wide Crossbar Monitor Mount (code W): for two monitors up to 15 lbs each. Total combined weight limit 30 lbs. Screen height adjustment 5" adjusted manually with a 6mm allen wrench. Maximum horizontal width of the screens is 27" (685 mm).
Work Surface	Small Platform code 24: Compatible with work surface depths 24" (610 mm) to 29" (735 mm). Platform size wide 28" (711 mm) x depth 11" (280mm).		Large Platform code 30: Compatible with work surface depths 30" (735 mm) to 36" (915 mm). Platform size width 28" (711 mm) wide x depth 17" (432 mm).	
Desk Mount Options	 Clamp Mount (Code C): two-piece clamp mount for work surface depths 24" (600 mm) to 29" (700 mm). Mounts to work surfaces 1/2" (13 mm) up to 2 3/4" (70 mm) thick.	 Grommet/Bolt Mount (Code G) - Mount bolts through a grommet or bolts through work surfaces 0.50" (13mm) up to 2.75" (70 mm) Thick. Grommet minimum placement 20-1/2" from the front edge of work surface to the center of the grommet. Grommet maximum placement 29.5" (740 mm) from the front edge of work surface to the center of the grommet. Minimum grommet size 1.75" (64 mm) and maximum grommet size 3.75" (95 mm).	 Dual Mount (Code D): includes both the Clamp and Grommet/Bolt Mount. Refer to those options for individual details.	 Freestanding Base (Code F): allows the QuickStand to be placed on any flat surface. The minimum surface depth is 24" (610 mm) to use this base. Works best when you do not want to attach a mount to a desk, have odd shaped surfaces or want to be able to place the QuickStand in multiple locations on the desk. Designed to UL1667 specification for stability and safety to prevent accidental tipping.
Left Side Cable Set Options Click here for a short video on cable installation: http://player.vimeo.com/video/168993542	VGA Set (code V): 1 x IEC 320 – C13 to C14 Power Cord 2 m Length 1 x DVI-D, SINGLE Link Cable 3 m Length 2 x USB 2.0 cable 2 m Length, includes quick reference color marks for easy installation.	Display Port Set (code P): 1 x IEC 320 – C13 to C14 Power Cord 2 m Length 1 x DVI-D, SINGLE Link Cable 3 m Length 2 x USB 2.0 cable 2 m Length, includes quick reference color marks for easy installation.	HDMI Set (code H): 1 x IEC 320 – C13 to C14 Power Cord 2 m Length 1 x DVI-D, SINGLE Link Cable 3 m Length 2 x USB 2.0 Cable 2 m Length, includes quick reference color marks for easy installation.	DVI-D Set (code D): 1 x IEC 320 – C13 to C14 Power Cord 2 m Length 1 x DVI-D, SINGLE Link Cable 3 m Length 2 x USB 2.0 Cable 2 m Length, includes quick reference color marks for easy installation.
Right Side Cable Set Options Click here for a short video on cable installation: http://player.vimeo.com/video/168993542	VGA Set (code V): 1 x IEC 320 – C13 to C14 Power Cord 2 m Length 1 x DVI-D. Set is wrapped in a protective sheath. Includes quick reference color marks for easy installation.	Display Port Set (code P): 1 x IEC 320 – C13 to C14 Power Cord 2 m Length 1 x DVI-D. Set is wrapped in a protective sheath. Includes quick reference color marks for easy installation.	HDMI Set (code H): 1 x IEC 320 – C13 to C14 Power Cord 2 m Length 1 x DVI-D. Set is wrapped in a protective sheath. Includes quick reference color marks for easy installation.	DVI-D Set (code D): 1 x IEC 320 – C13 to C14 Power Cord 2 m Length 1 x DVI-D. Set is wrapped in a protective sheath. Includes quick reference color marks for easy installation.

Platform Height Adjustment	Platform Height Adjustment above work surface: 18" (460 mm)		
	Monitor Height adjustment 5" (127 mm), all monitor mounts. Refer to monitor mount options for additional details.		
Monitor Elevation	Monitor Height to center of monitor: 10" (254 mm) above platform		
Typical Display Size 4	30" diagonal OR LESS		
Display Tilt	+15°		
	-5°		
Display Pan	Not Available on Light and Heavy Monitor Mount. Crossbar Models +/- 15°		
Display Rotation	180° Landscape to Portrait Display Rotation		
Product Packaging & Shipping	<p>Main Assembly, Light Monitor Mount, Heavy Monitor Mount, Clamp Mount, Grommet/Bolt Mount, Dual Mount, Small/Large Worksurface</p>	Wide Crossbar	Freestanding Base
	 <p>All shipments are packaged with the Primary box and the Work Surface box banded together. QuickStand Primary box size: 35" (l) x 20.5" (w) x 7.5" (h) Work surface box size: 35" (l) x 20.5" (w) x 3.5" (h) Final banded boxed size: 35" (l) x 20.5" (w) x 11" (h) QuickStand's main assembly and platform box weight is 58 lbs. All product ordered as a single model number are shipped in sets and individual cartons are marked ship set with one consignment and tracked electronically as one set to avoid separation of complete shipment.</p>	 <p>Wide Crossbar ships separately in a single box due to width.</p>	 <p>Separate Freestanding base box: 29" (l) x 23.5" (w) x 2" (h) Total product + packaging weight 24 lbs. Ships in separate box from main box due to size and weight.</p>
VESA	VESA Compliant		
Warranty	5 Years, 24/7		

Consult installation instructions for additional details: <http://www.humanscale.com/resources/download-library/manuals-installation-maintenance.cfm>