

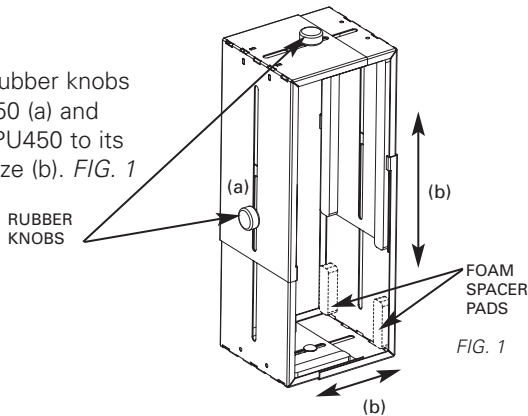
CPU 450 Instructions



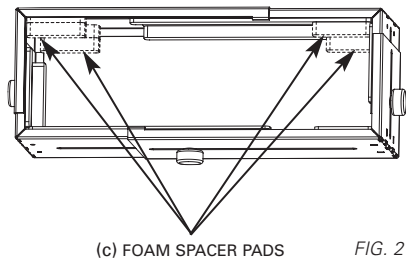
Direct Mount (Vertical or Horizontal)

1. The CPU450 can be mounted to the underside of a desk for horizontal or vertical CPUs or to the side of a desk or on a wall for vertical CPUs. Determine CPU orientation and preferred mounting location. If necessary, reposition knobs/bolts on CPU450 so that the side of the CPU450 that will connect to a desk or wall does not have a knob.

2. Loosen rubber knobs of CPU450 (a) and adjust CPU450 to its largest size (b). FIG. 1

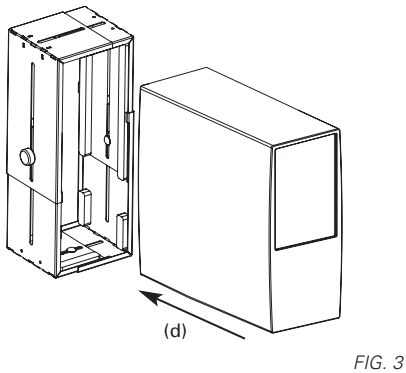


3. For small CPUs (4" tall/wide or less), attach extra foam spacer pads to existing foam pads as shown (c). Use additional spacer pads as needed. FIG. 2



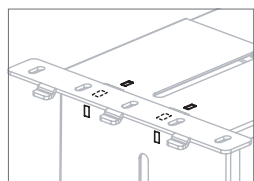
For large CPUs, attach foam spacer pads as shown in FIG. 1

4. Place CPU inside CPU450 (d) and resize so that it fits snugly around CPU. Tighten all three knobs. FIG. 3



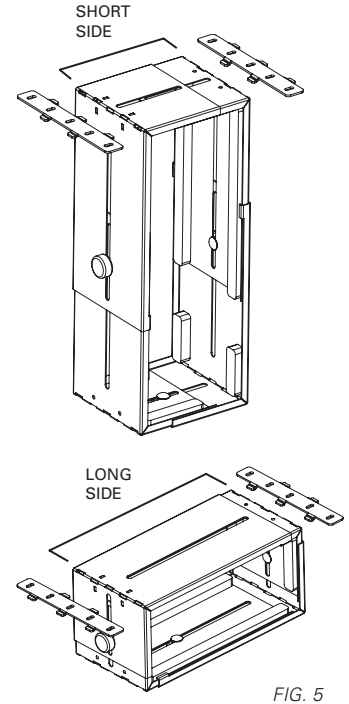
5. Determine mounting bracket positions. The two mounting brackets fit into the CPU450 in a very specific way, depending on orientation. The following will help you determine the proper positions and orientations.

- a. Each corner of the CPU450 is marked with either circles or rectangles. The mounting brackets are also marked with circles or rectangles. Please match bracket to its corresponding corner of the CPU450. FIG. 4



- b. Position the brackets so that the circles and rectangles and tabs all face away from the surface being mounted.

- c. When mounting the short side of the CPU450 to the underside of a desk, the side of the "circle" bracket with two tabs should be inserted into the CPU450, while the side of the "rectangle" bracket with three tabs should be inserted into the CPU450. When mounting the long side of the CPU450 to either the underside of a desk or on a wall, the side of the "circle" bracket with three tabs should be inserted into the CPU450, while the side of the "rectangle" bracket with two tabs should be inserted into the CPU450. FIG. 5



- d. When steps a, b, and c are performed correctly and the brackets are inserted into the CPU450, the flat side of the brackets should be perfectly flat with the side of the CPU450 that will be mounted. (Note: The "rectangle" bracket should fit somewhat loosely.)

6. Determine mounting location. (Note: For wall mounts, it is easiest if the CPU and CPU450 are oriented such that the "rectangle" bracket will be mounted in the bottom position. If it isn't, you can optionally remove the CPU from the CPU450 and turn it around so that the "rectangle" bracket will be in the bottom position. This isn't necessary, but will make mounting the CPU450 easier, especially when it contains a large or heavy CPU.)

7. Keeping the proper bracket position and orientation in mind relative to how the CPU450 will be mounted, attach the "rectangle" bracket to the wall or underside of desk using screws provided.

8. Keeping the "circle" bracket inserted in CPU450, attach CPU450 to the mounted "rectangle" bracket by aligning tabs with slots.

Track Mount (Requires Track Mount Upgrade Kit)

1. The CPU450 can be mounted to the underside of a desk for horizontal or vertical CPUs or to the side of a desk or on a wall for vertical CPUs. Determine CPU orientation and preferred mounting location. If necessary, reposition knobs/bolts on CPU450 so that the side of the CPU450 that will connect to a desk or wall does not have a knob.
2. Attach Glide Plate to knobless side of CPU450 by removing nut and washer from underside of Glide Plate, inserting screw into slot on top of CPU450, and loosely tightening nut and washer.
3. Loosen rubber knobs of CPU450 and adjust CPU450 to its largest size.
4. Attach foam spacer pads to inside of CPU450 as shown in Direct Mount Instructions—Step 3, as needed.
5. Place CPU inside CPU450 and resize so that it fits snugly around CPU. Center Glide Plate on top or side of CPU450 and tighten. Secure CPU450 by tightening all three knobs.
6. Using double-sided tape, affix track to desk or wall. Using screws provided, secure track to desk or wall and attach rear rubber stopper.
7. Slide CPU450 into track by aligning Glide Plate sliders with track.
8. Secure CPU450 in track by attaching front bumper as shown.

