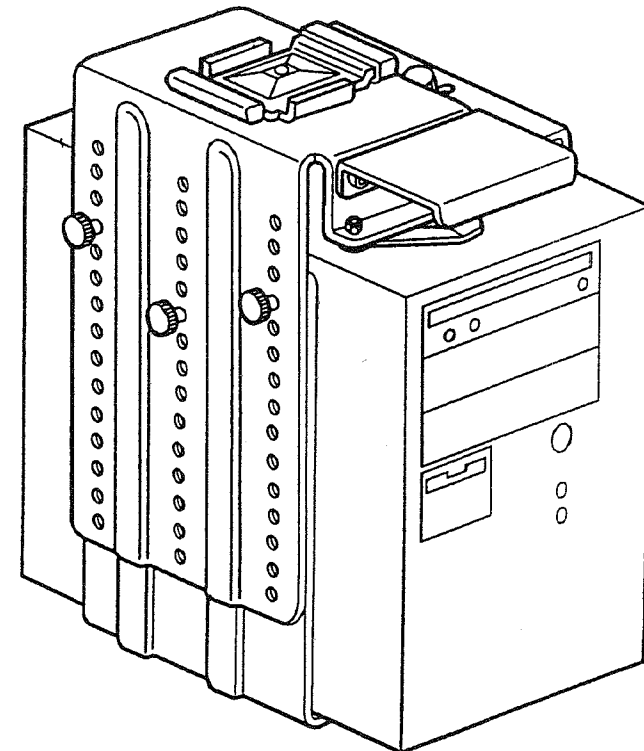


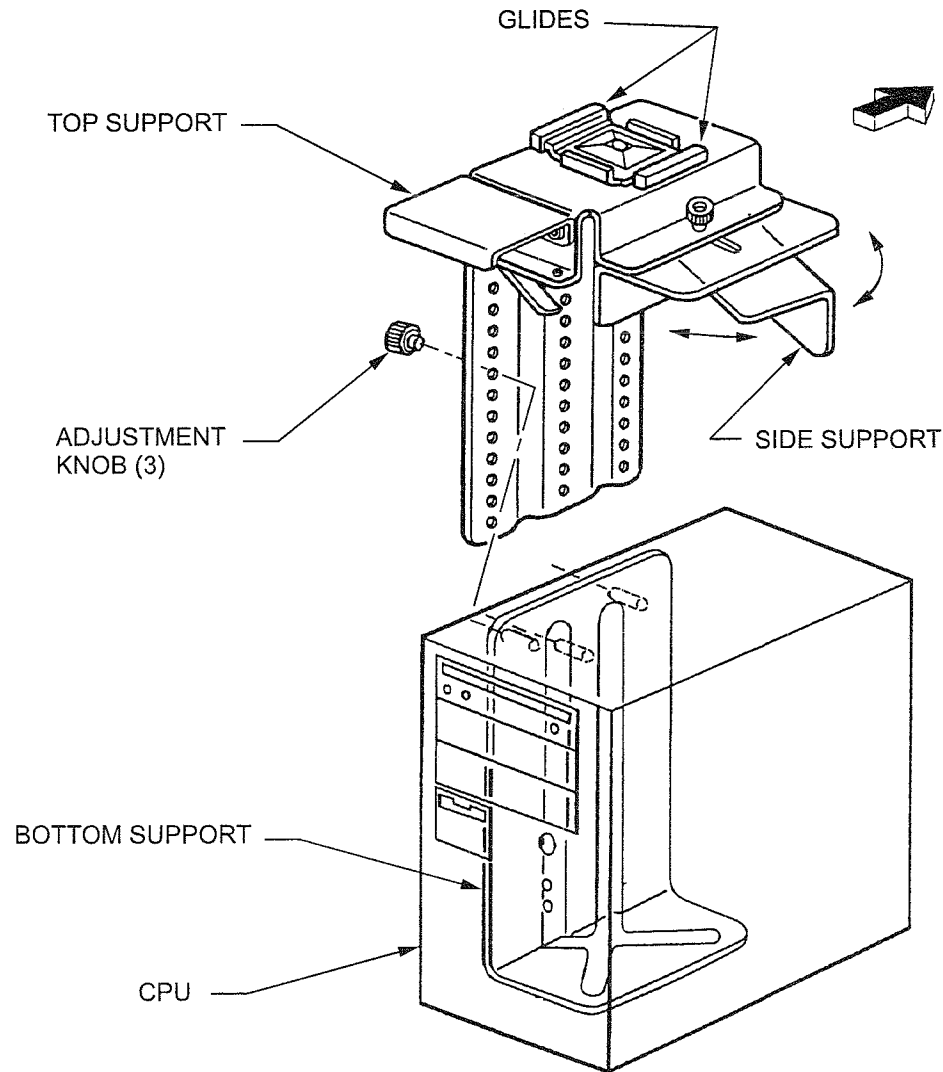
CPU HOLDER AND TRACK INSTALLATION INSTRUCTIONS

<u>Package Contents</u>	<u>Qty</u>
CPU Holder	1
Adjustment Knobs	3
Track	1
Rubber Stoppers	2
Front Bumper	1
5/8" Tapping Screws	12

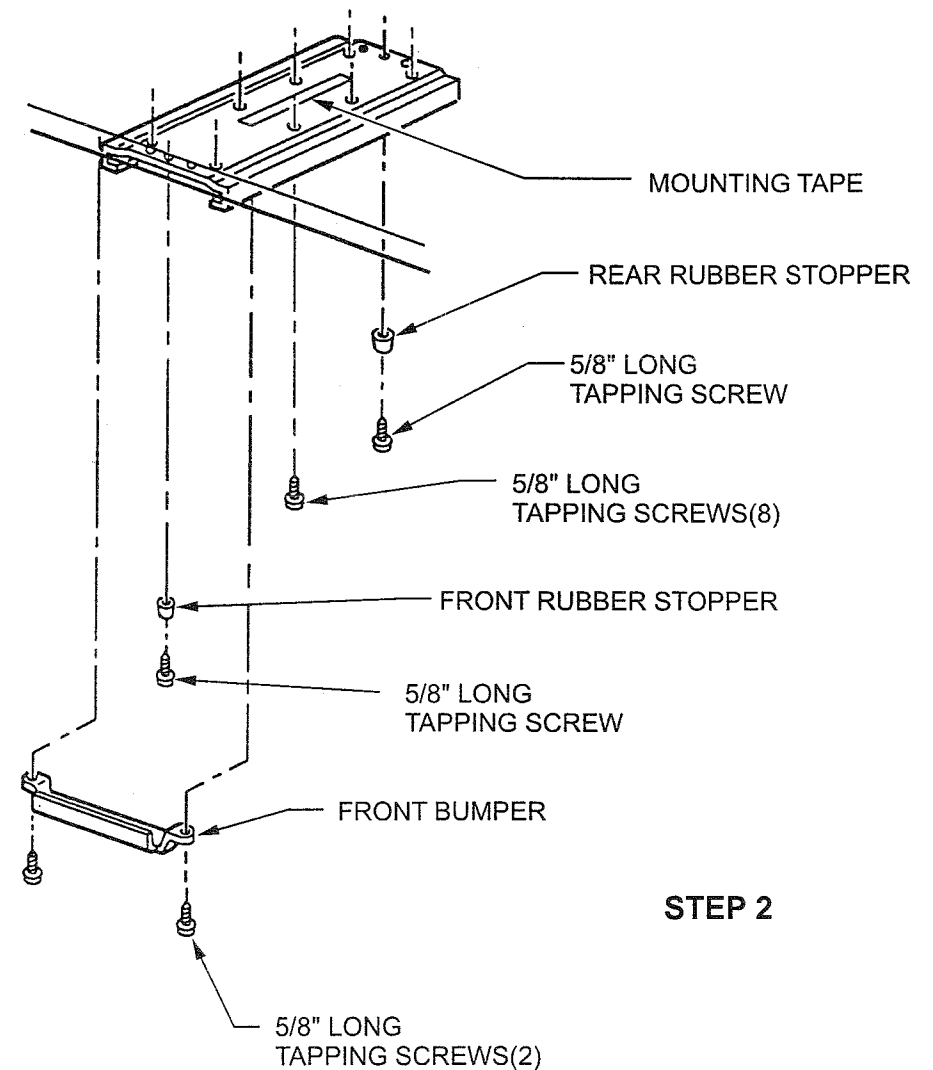


INSTALLATION GUIDE

STEP 1



STEP 1: Remove Top Support from Bottom Support by unscrewing Adjustment Knobs. Place CPU on Bottom Support. Loosen Side Support and fit Top Support tightly over CPU. Screw on Adjustment Knobs. Adjust Side Support so that it fits securely against CPU and tighten. Note: Side Support can be turned 180° to fit both narrow and wide CPUs.



STEP 2

STEP 2: Using tape, affix Track to underside of desk. Drill holes. Using Tapping screws, attach Track and Rear Rubber Stopper. Making sure plastic Glides are in place, slide CPU Holder into Track. Attach Front Rubber Stopper and Front Bumper to Track. Your CPU Holder is now installed. Enjoy!