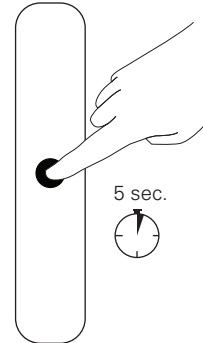
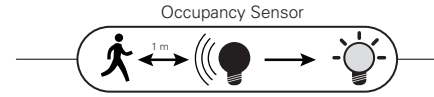
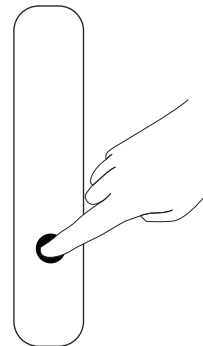


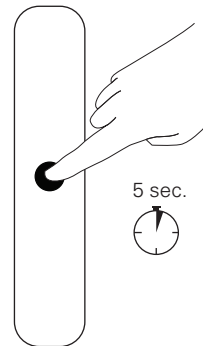
ON  / OFF 



5 sec.



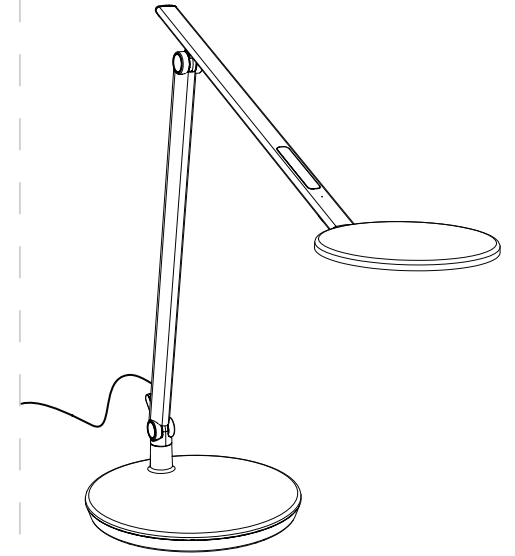
OFF



5 sec.



ON



nova

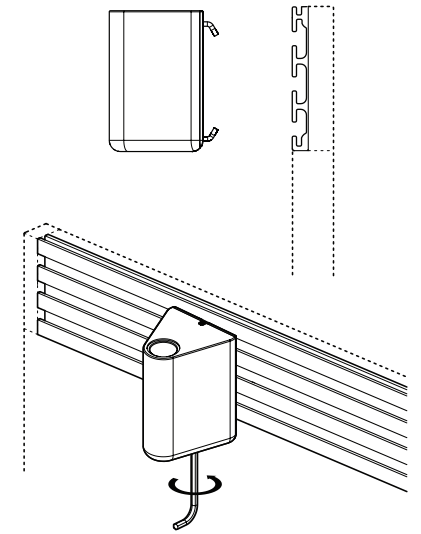
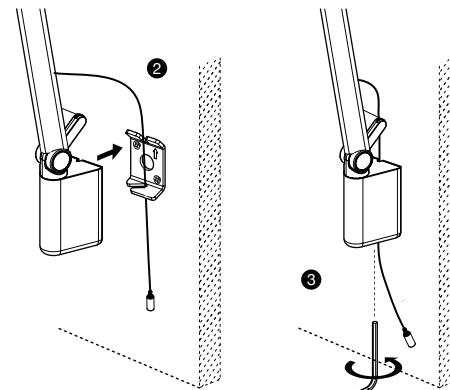
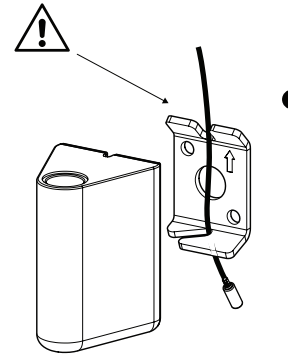
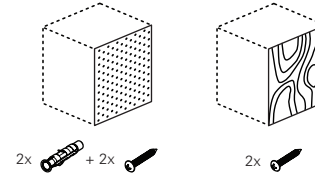
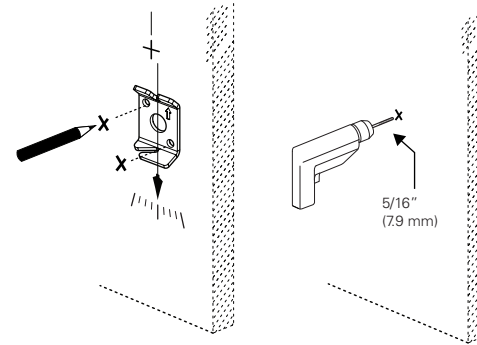
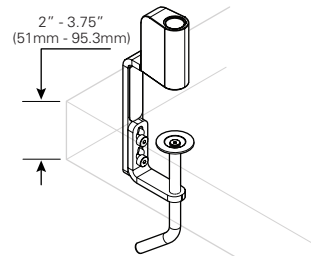
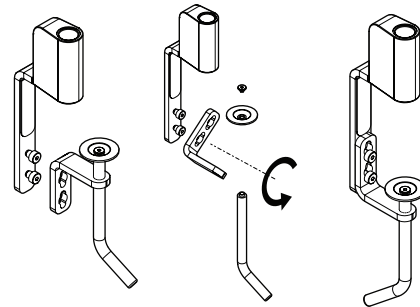
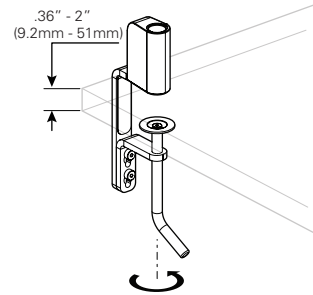
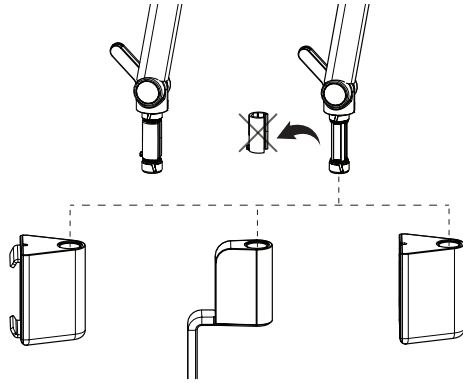
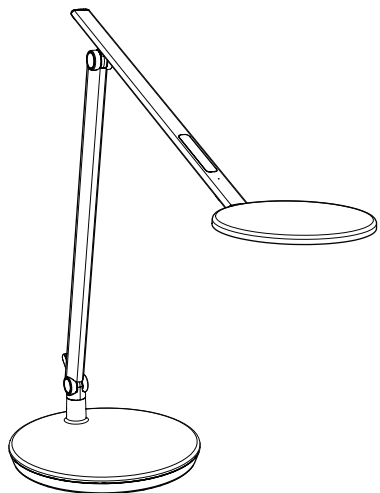
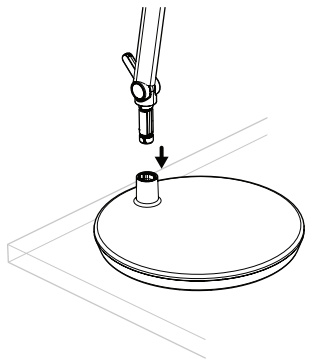
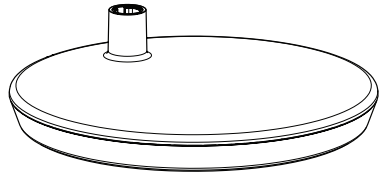
LED Task Light

Portable Luminaire Instructions
Instructions pour luminaires portables



www.humanscale.com/nova

Humanscale®



FCC Notice
Model: N

Note: This equipment has been tested and found to comply with the limits for a Class B digital device, pursuant to part 15 of the FCC Rules. These limits are designed to provide reasonable protection against harmful interference in a residential installation. This equipment generates uses and can radiate radio frequency energy and, if not installed and used in accordance with the instructions, may cause harmful interference to radio communications. However, there is no guarantee that interference will not occur in a particular installation. If this equipment does cause harmful interference to radio or television reception, which can be determined by turning the equipment off and on, the user is encouraged to try to correct the interference by one or more of the following measures:

- Reorient or relocate the receiving antenna.
- Increase the separation between the equipment and receiver.
- Connect the equipment into an outlet on a circuit different from that to which the receiver is connected.
- Consult the dealer or an experienced radio/TV technician for help.

The FCC requires the user be cautioned that any changes or modifications made to this device that are not expressly approved by Humanscale may void the user's authority to operate the equipment.

Humanscale
1114 6th Ave, 15th floor
New York, NY 10036
+1 800 400 0625 - United States
+353 (0)1 525 0610 - Dublin
+852 2581 0570 - Hong Kong

Innovation, Science and Economic Development Canada ICES-005
Compliance Notice:
CAN ICES-005 (B) / NMB-005 (B)