

**Keyboards (except 5G),  
Ergo Tools,  
Monitor Arms (M7 & M8)**



**State of Florida Price Guide**

Prices effective August 2011

# State of Florida Contract

Office Products and Services and New Products Technology

**Keyboard Contract:** 425-001-06-1

**Contract Period:** 03/02/06 through 03/01/2012

**Ordering Address:** Humanscale

**Contractor Address:** 220 Circle Dr. North Piscataway, NJ 08854

**Contact Number:** 732-537-2944 Fax: 732-356-4146

**Email Address:** orders@humanscale.com

**Web Site Access:** <http://www.humanscale.com/florida>

## Table of Contents

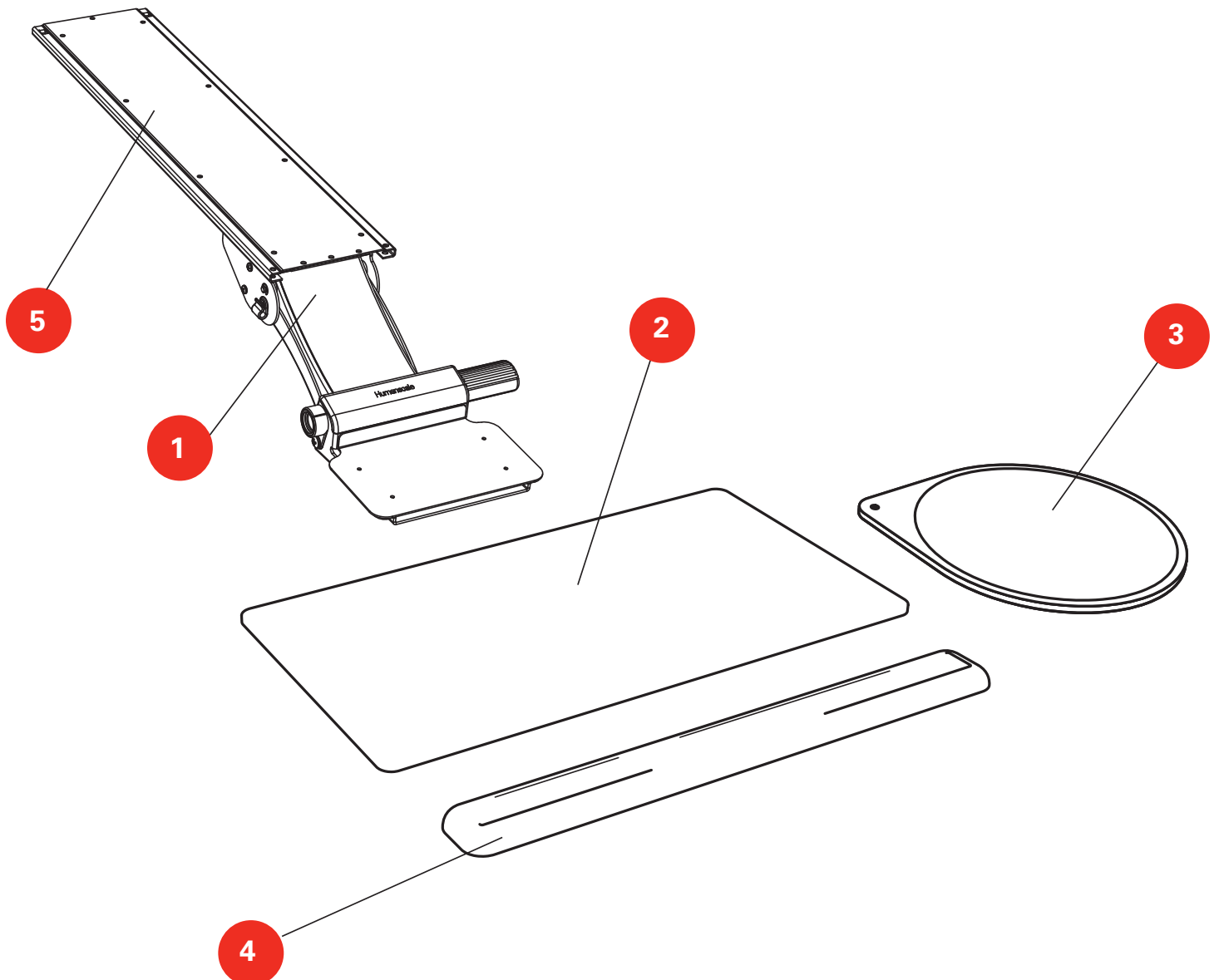
Build Your Keyboard System .....	1
Mechanism Options .....	4
Keyboard Platform Options .....	5
Mouse Platform Options .....	7
Palm Rest Options .....	8
Track Length Options .....	8
Keyboard System Accessories .....	9
Neatlinks .....	10
M7 Monitor Arms .....	11
M8 Monitor Arms .....	12
CPU 600 .....	14
Light Systems .....	15
Humanscale and The Environment .....	17
Terms and Conditions .....	18

# Build-Your-Own Keyboard System

Choose from our many mechanisms, keyboard platforms, mouse platforms, palm rests and track lengths to configure your own customized keyboard system. Using the Keyboard System Product Code Key below and the component options listed on the following pages, you can build the product code for your own customized keyboard system.

Keyboard System Product Code:

<b>1</b>	<b>2</b>	<b>3</b>	<b>4</b>	<b>5</b>
Mechanism	Keyboard Platform	Mouse Platform	Palm Support	Track (optional)



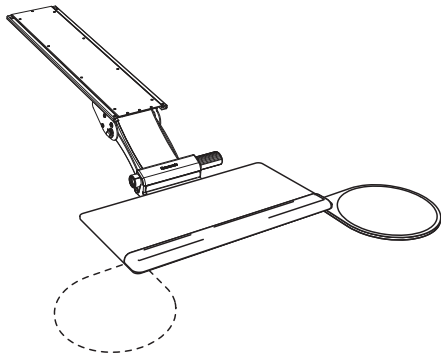
# Best-Selling Keyboard Systems

Advanced technology, award winning designs, hundreds of options and the market leader for three years running. We pioneered intuitive adjustability and eliminated knee obstruction. And these "best sellers" remain several steps ahead of the pack

**FLORIDA DISCOUNT ON ALL KEYBOARD SYSTEMS**

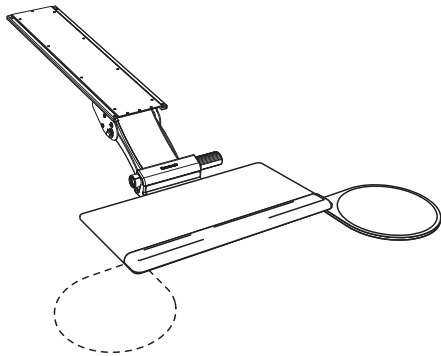
FROM DOLLAR ONE \$1 - 50,000 .....	DISCOUNT
\$50,001 - 150,000 .....	66%
\$150,001+ .....	67.5%
	NEGOTIABLE

Note: All prices are list. Use applicable GSA discount to calculate GSA pricing.



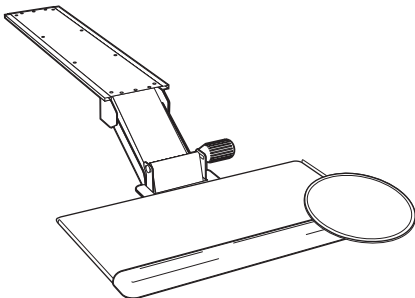
2G or 4G Mechanism  
 Standard Platform  
 8" Swivel Mouse (*Right or Dual*)  
 Synthetic Leather Palm Support (*Gel or Foam Core*)

<i>Right/Gel</i>	2G 900 11R G	\$390	4G 900 11R G	\$415
<i>Dual/Gel</i>	2G 900 11D G	\$435	4G 900 11D G	\$460
<i>Right/Foam</i>	2G 900 11R F	\$375	4G 900 11R F	\$400
<i>Dual/Foam</i>	2G 900 11D F	\$420	4G 900 11D F	\$445



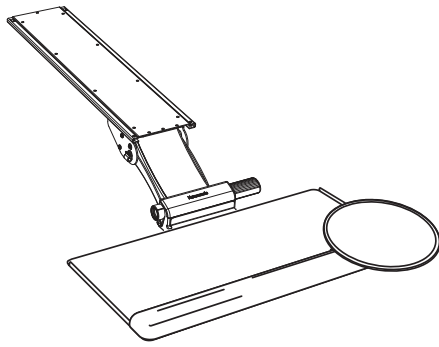
2G or 4G Mechanism  
 Standard Platform  
 M2 Mouse (*Right or Dual*)  
 Synthetic Leather Palm Support (*Gel or Foam Core*)

<i>Right/Gel</i>	2G 900 81R G	\$390	4G 900 81R G	\$415
<i>Dual/Gel</i>	2G 900 81D G	\$435	4G 900 81D G	\$460
<i>Right/Foam</i>	2G 900 81R F	\$375	4G 900 81R F	\$400
<i>Dual/Foam</i>	2G 900 81D F	\$420	4G 900 81D F	\$445



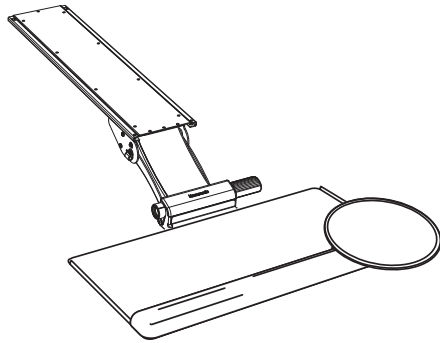
2G or 4G Mechanism  
 Standard Platform  
 8" High Clip Mouse (*Non Handed*)  
 Synthetic Leather Palm Support (*Gel or Foam Core*)

<i>Gel</i>	2G 900 90H G	\$410	4G 900 90H G	\$435
<i>Foam</i>	2G 900 90H F	\$395	4G 900 90H F	\$420



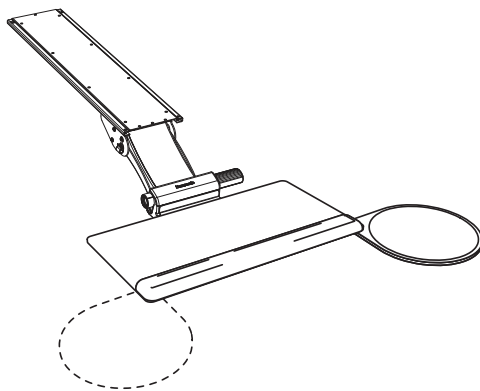
White 6G System  
 Standard White 6GW Mechanism  
 White 900 or 950 Platform  
 White High Clip Mouse\* (8.5" or 10" Mousing Surface)  
 Gray Gel Mouse Pad  
 Gray Synthetic Leather  
 Gel Palm Support

<i>Std6GW/8.5"</i>	6GW 900 90H G	\$451
	6GW 950 90H G	\$451
<i>Std 6GW/10"</i>	6GW 900 91H G	\$451
	6GW 950 91H G	\$451



Clip Mouse System  
 6G Mechanism  
 Standard 900 Platform  
 High Clip Mouse (8.5" or 10" Mousing Surface)  
 Synthetic Leather Palm  
 Support (Gel or Foam)  
 Standard Black color scheme

<i>8.5"/Gel</i>	6G 900 90H G	\$440
<i>10"/Gel</i>	6G 900 91H G	\$440
<i>8.5"/Foam</i>	6G 900 90H F	\$425
<i>10"/Foam</i>	6G 900 91H F	\$425



Swivel Mouse System  
 6G Mechanism  
 Standard 900 Platform  
 8" Swivel Mouse Right or Dual)  
 Synthetic Leather Palm Support (Gel or Foam)  
 Standard Black color scheme

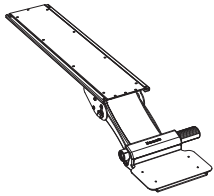
<i>Right/Gel</i>	6G 900 11R G	\$420
<i>Dual/Gel</i>	6G 900 11D G	\$465
<i>Right/Foam</i>	6G 900 11R F	\$405
<i>Dual/Foam</i>	6G 900 11D F	\$450

\*Standard-height Clip Mouse also available for White 6G System.

# 1 Mechanism Options

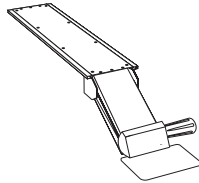
FLORIDA DISCOUNT ON ALL KEYBOARD SYSTEMS	
FROM DOLLAR ONE \$1 - 50,000 .....	DISCOUNT 66%
\$50,001 - 150,000 .....	DISCOUNT 67.5%
\$150,001+ .....	DISCOUNT NEGOTIABLE

Note: All prices are list. Use applicable GSA discount to calculate GSA pricing.



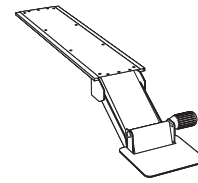
**6G/6GW \$250**

Humanscale's most advanced keyboard mechanism to date, the 6G provides intuitive ergonomic adjustability and unmatched styling.  
 7" height adjustment  
 (1.75" above track to 5.25" below track)  
 Comes standard with 21.625" track



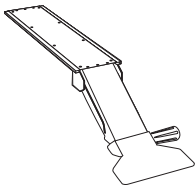
**4G \$245**

The 4G offers all the advantages of the 2G, but with simple dial-a-tilt keyboard angle adjustability.  
 6 1/4" height adjustment  
 (1 1/4" above track to 5" below track)



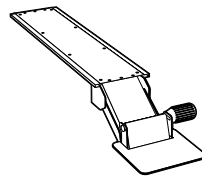
**2G \$220**

The 2G is the second-generation Freedom Arm with independent height and tilt adjustment and unmatched stability.  
 6 1/4" height adjustment  
 (1 1/4" above track to 5" below track)



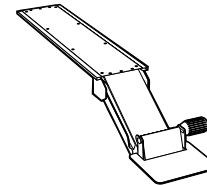
**4GAD \$326**

The 4G Above Desk mechanism provides 4G functionality with a longer arm for use above the work surface.  
 11.5" height adjustment  
 (8.5" above track to 3" below track)  
 Comes standard with 27" track



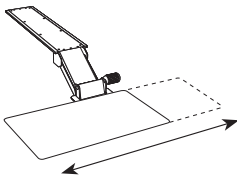
**SM \$220**

The Short mechanism provides 2G functionality with a shorter arm for small workstations and tight spaces.  
 4" height adjustment  
 (1/2" above track to 3 1/2" below track)



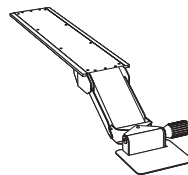
**AD \$280**

The Above Desk mechanism provides 2G functionality with a longer arm for use above the work surface.  
 9" height adjustment  
 (5" above track to 4" below track)



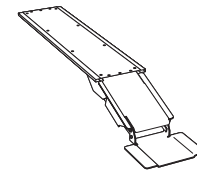
**Mechanism Accessory LS \$84**

The Lateral Slider allows the platform to be adjusted left or right a total of 8" for optimal keyboard positioning. It can be ordered with any keyboard mechanism by indicating "LS" after the mechanism code (e.g., 2GLS).



**DS \$330**

The Double Swivel provides an additional pivot point for increased adjustability.  
 80° swivel at platform.  
 6 1/4" height adjustment  
 (1 1/4" above track to 5" below track)



**KM \$200**

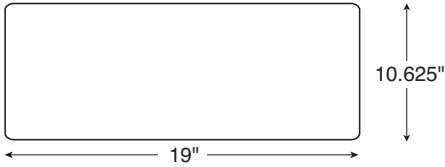
The Standard Pre-set Tilt Arm offers total knee clearance, knob-free adjustment and 0° tilt.  
 6 1/4" height adjustment  
 (1 1/4" above track to 5" below track)

## 2 Keyboard Platform Options

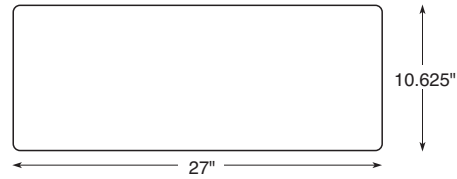
**FLORIDA DISCOUNT ON ALL KEYBOARD SYSTEMS**

	DISCOUNT
FROM DOLLAR ONE \$1 - 50,000 .....	66%
\$50,001 - 150,000 .....	67.5%
\$150,001+ .....	NEGOTIABLE

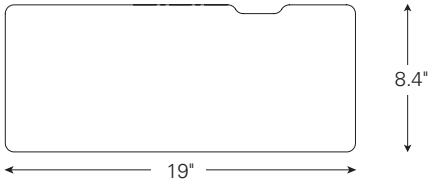
Note: All prices are list. Use applicable GSA discount to calculate GSA pricing.



**900** \$90 white \$97  
 Standard  
 Available in white with 6GW



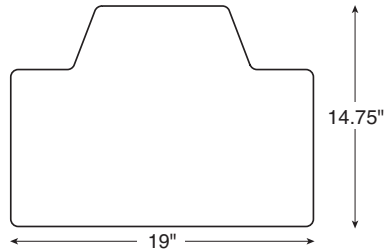
**500** \$135  
 Big



**950** \$97 white \$97  
 Standard Compact  
 Available in white with 6GW



**550** \$145  
 Big Compact  
 Comes with built-in mousing surface.  
 Not available with other mouse platform options.

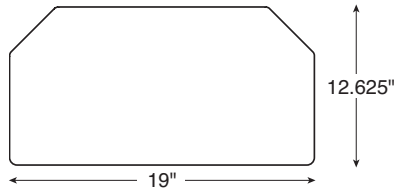


**600** \$110  
 Extender

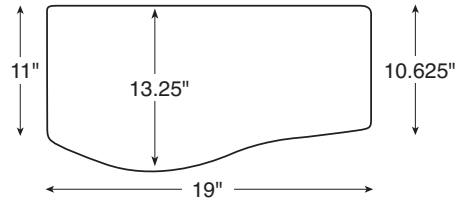
**FLORIDA DISCOUNT ON ALL KEYBOARD SYSTEMS**

	DISCOUNT
FROM DOLLAR ONE \$1 - 50,000 .....	66%
\$50,001 - 150,000 .....	67.5%
\$150,001+ .....	NEGOTIABLE

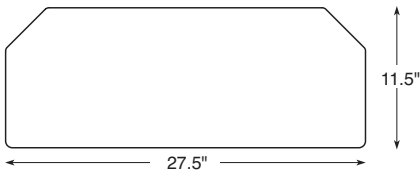
Note: All prices are list. Use applicable GSA discount to calculate GSA pricing.



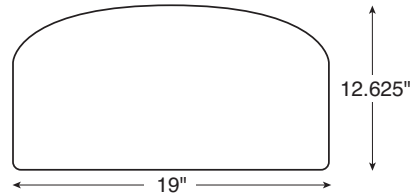
**700 \$90**  
Diagonal



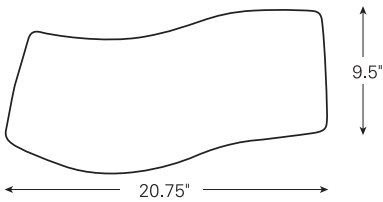
**100 \$90**  
Combo



**400 \$135**  
Diagonal Big



**800 \$90**  
Radiused

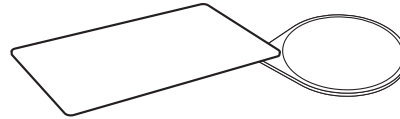


**300 \$97**  
Not available with a palm support

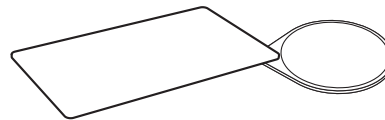
### 3 Mouse Platform Options

FLORIDA DISCOUNT ON ALL KEYBOARD SYSTEMS	
FROM DOLLAR ONE \$1 - 50,000 .....	DISCOUNT 66%
\$50,001 - 150,000.....	67.5%
\$150,001+.....	NEGOTIABLE
Note: All prices are list. Use applicable GSA discount to calculate GSA pricing.	

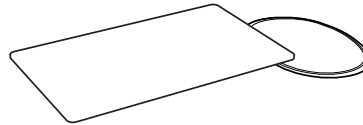
	Code	Price
8" Swivel Right	11R	\$45
8" Swivel Left	11L	\$45
<i>(not pictured)</i>		
8" Swivel Dual	11D	\$90
<i>(not pictured)</i>		



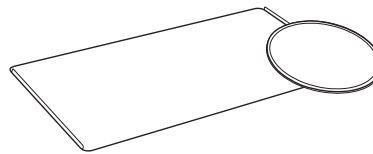
10" Swivel Right	12R	\$45
10" Swivel Left	12L	\$45
<i>(not pictured)</i>		
10" Swivel Dual	12D	\$90
<i>(not pictured)</i>		



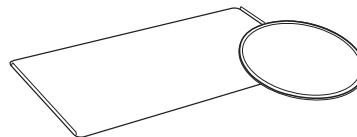
M2 Right	81R	\$45
M2 Left	81L	\$45
M2 Dual	81D	\$90



8.5" Clip	90	\$65
8.5" High Clip	90H	\$65
White		\$69
<i>Available in white with 6GW</i>		



10" Clip	91	\$65
10" High Clip	91H	\$65
White		\$69
<i>Available in white with 6GW</i>		

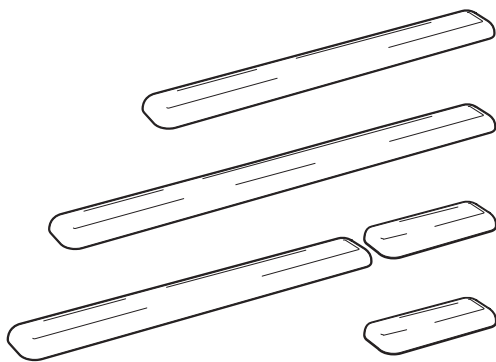


## 4 Palm Rest Options

### FLORIDA DISCOUNT ON ALL KEYBOARD SYSTEMS

	DISCOUNT
FROM DOLLAR ONE \$1 - 50,000 .....	66%
\$50,001 - 150,000 .....	67.5%
\$150,001+ .....	NEGOTIABLE

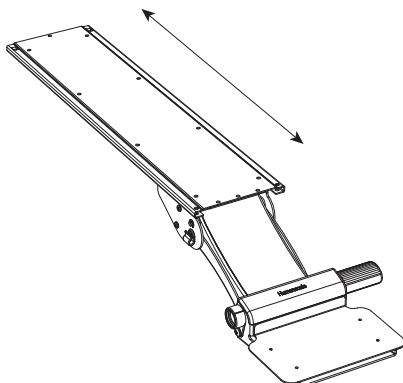
Note: All prices are list. Use applicable GSA discount to calculate GSA pricing.



<b>F</b>	19" Foam with synthetic leather cover	\$20
<b>G</b>	19" Gel with black or gray synthetic leather cover	\$35
<b>F20</b>	20" Foam with synthetic leather cover	\$21
<b>G20</b>	20" Gel with synthetic leather cover	\$38
<b>F25</b>	25" Foam with synthetic leather cover	\$27
<b>G25</b>	25" Gel with synthetic leather cover	\$45
	<i>For 550 boards only</i>	
<b>F27</b>	27" Foam with synthetic leather cover	\$25
<b>G27</b>	27" Gel with Lycra knit cover	\$40
	<i>For 400 and 500 boards only</i>	
<b>FMP</b>	20" and 7" Foam with synthetic leather cover	\$30
<b>GMP</b>	20" and 7" Gel with synthetic leather cover	\$45
	<i>For 400 and 500 boards only</i>	
<b>MP7F</b>	7" Foam with synthetic leather cover	\$13
<b>MP7G</b>	7" Gel with synthetic leather cover	\$17

## 5 Track Options

All keyboard systems ship with track lengths noted on page 5. Please use the following codes to order a specific track for your system.



<b>27</b>	27" track	N/C
<b>25</b>	25" track	N/C
<b>22</b>	Standard 21.625" track	N/C
<b>18</b>	18" track	N/C
<b>16</b>	16" track	N/C
<b>14</b>	14" track	N/C
<b>11</b>	11" track	N/C

# Keyboard System Accessories

## FLORIDA DISCOUNT ON ALL KEYBOARD SYSTEMS

	DISCOUNT
FROM DOLLAR ONE \$1 - 50,000 .....	66%
\$50,001 - 150,000.....	67.5%
\$150,001+.....	NEGOTIABLE

Note: All prices are list. Use applicable GSA discount to calculate GSA pricing.

## Mouse Pads



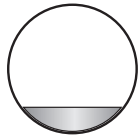
**HSMP12TIPS** \$5  
8" 12 Tips Ergo Mouse Pad

**HSMP12TIPS10** \$6  
9" 12 Tips Ergo Mouse Pad



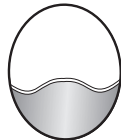
**CMPGEL8** \$26  
8.5" Gel Mouse Pad  
For 90 or 90H Clip Mouse

**CMPGEL** \$26  
10" Gel Mouse Pad  
For 91 or 91H Clip Mouse



**MPGEL8** \$21  
8.5" Gel Mouse Pad

**MPGEL10** \$26  
10" Gel Mouse Pad

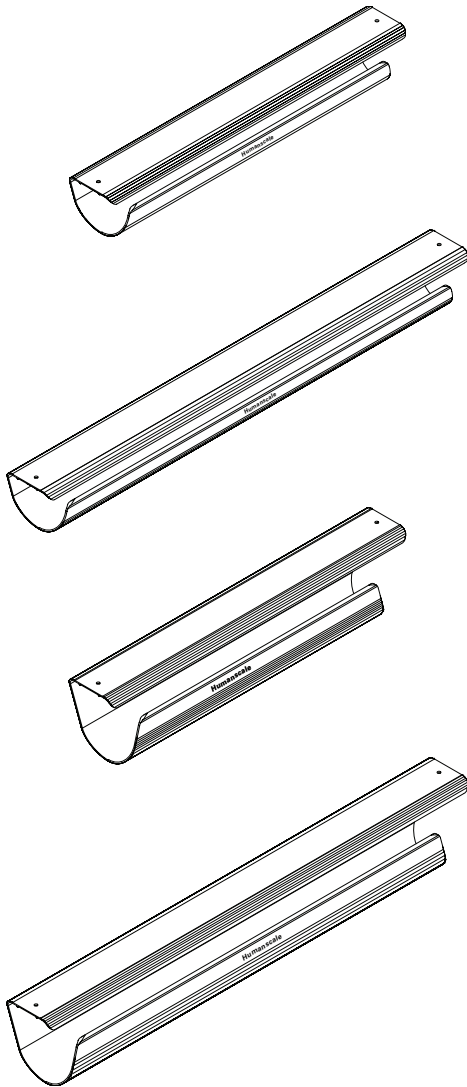


**GPSMP** \$37  
Desktop Mouse Pad with Gel Palm

**FLORIDA DISCOUNT ON ALL NEATLINKS SYSTEMS**

	DISCOUNT
FROM DOLLAR ONE \$1 - 50,000 .....	59%
\$50,001 - 150,000 .....	61%
\$150,001+ .....	NEGOTIABLE

Note: All prices are list. Use applicable GSA discount to calculate GSA pricing.



NeatLinks – Small 17”

---

<b>NL17SB</b> (Black)	\$19
<b>NL17SG</b> (Gray)	\$19

Small 2.6” Diameter, 17” Length

NeatLinks – Small 24”

---

<b>NL24SB</b> (Black)	\$21
<b>NL24SG</b> (Gray)	\$21

Small 2.6” Diameter, 24” Length

NeatLinks – Large 17”

---

<b>NL17LB</b> (Black)	\$21
<b>NL17LG</b> (Gray)	\$21

Large 3.6” Diameter, 17” Length

NeatLinks – Large 24”

---

<b>NL24LB</b> (Black)	\$23
<b>NL24LG</b> (Gray)	\$23

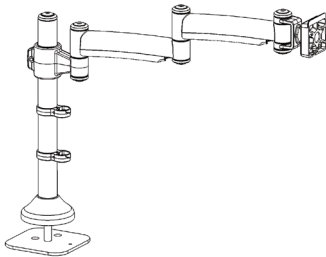
Large 3.6” Diameter, 24” Length

# M7 Monitor Arms

## FLORIDA DISCOUNT ON ALL MONITOR ARMS

	DISCOUNT
FROM DOLLAR ONE \$1 - 150,000 .....	72%
\$150,001 - 250,000.....	73%
\$250,001+ .....	NEGOTIABLE

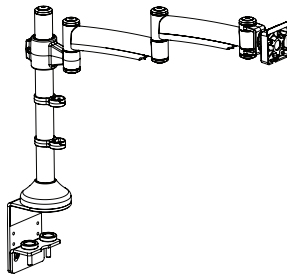
Note: All prices are list. Use applicable GSA discount to calculate GSA pricing.




---

<b>M7B1B9BTSL</b> Black	\$325
<b>M7B1S9BTSL</b> Silver	\$325

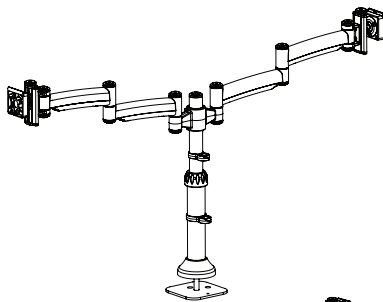
B1 Bracket-Mounted Arm, Two M7 8" Folding Links, Bolt-Thru Mount with Slim Post. Accommodates one monitor, up to 30lbs.




---

<b>M7B1B9LCSL</b> Black	\$350
<b>M7B1S9LCSL</b> Silver	\$350

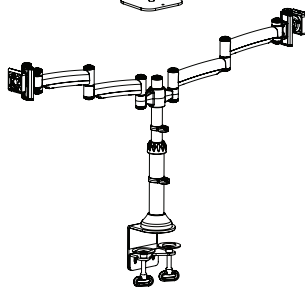
B1 Bracket-Mounted Arm, Two M7 8" Folding Links, Two-Piece Low Profile Clamp Mount with Slim Post. Accommodates one monitor, up to 30lbs.




---

<b>M7B2B99BTSL</b> Black	\$495
<b>M7B2S99BTSL</b> Silver	\$495

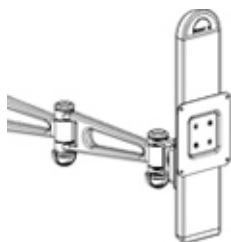
B2 Bracket-Mounted Arms, Two M7 8" Folding Links for each arm, Bolt-Thru mount with Slim Post. Accommodates two monitors, up to 30lbs each.




---

<b>M7B2B99LCSL</b> Black	\$520
<b>M7B2S99LCSL</b> Silver	\$520

B2 Bracket-Mounted Arms, Two M7 8" Folding Links for each arm, Two-Piece Low Profile Clamp Mount with Slim Post. Accommodates two monitors, up to 30lbs each.




---

<b>UFEA-S</b>	\$125
---------------	-------

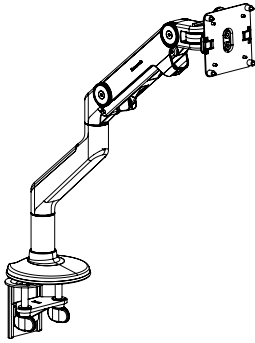
Universal Front - End Adjuster

# M8 Common Configurations

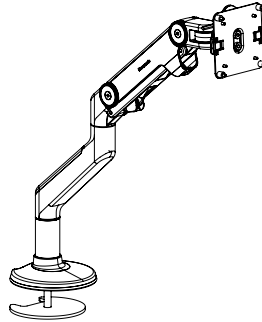
**FLORIDA DISCOUNT ON M8 MONITOR ARMS**

FROM DOLLAR ONE \$1 - 50,000 .....	DISCOUNT
\$50,001 - 150,000 .....	68.5%
	69.5%

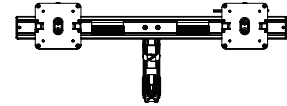
Note: All prices are list. Use applicable GSA discount to calculate GSA pricing.



**M8CX\*** \$460  
M8 with Clamp Mount



**M8BX\*** \$460  
M8 with Bolt-Through Mount



**M8CX-C\*** \$590  
M8 with Clamp Mount and Crossbar  
**M8BX-C\*** \$590  
M8 with Bolt-Through Mount and Crossbar

\*X denotes color. Substitute S for Silver with Gray trim.

## M8 Component Pricing Chart

COMPONENT	CODE	DESCRIPTION	LIST PRICE
<b>1 PRODUCT GROUP</b>	M8	M8 Monitor Arm <sup>1</sup>	<b>M8</b>
<b>2 MOUNT</b>	C	Two-Piece Clamp Mount with Base	100
	B	Bolt-Through Mount with Base	100
	S	Universal Slatwall Mount	100
	H	Direct Hardwall Mount	100
<b>3 COLOR</b>	S	Silver with Gray Trim	0
<b>4 ARM STYLE</b>	1	Fixed Angled Link/Dynamic Link	360
	2	Fixed Straight Link/Dynamic Link	360
<b>5 END STYLE</b>	S	Standard Ball Joint only	0
<b>6 VESA PLATE</b>	-	Standard 100mm x 100mm (also used for 75mm x 75mm)	0
<b>7 INDIVIDUAL PACKAGING</b>	-	Standard bulk packaging for orders of 3 or more units	0
	IND	Individual Packaging for all units in an order	10**

<sup>1</sup> Supports one or two monitors up to a total of 42 lbs.

## M8 Accessories Pricing Chart

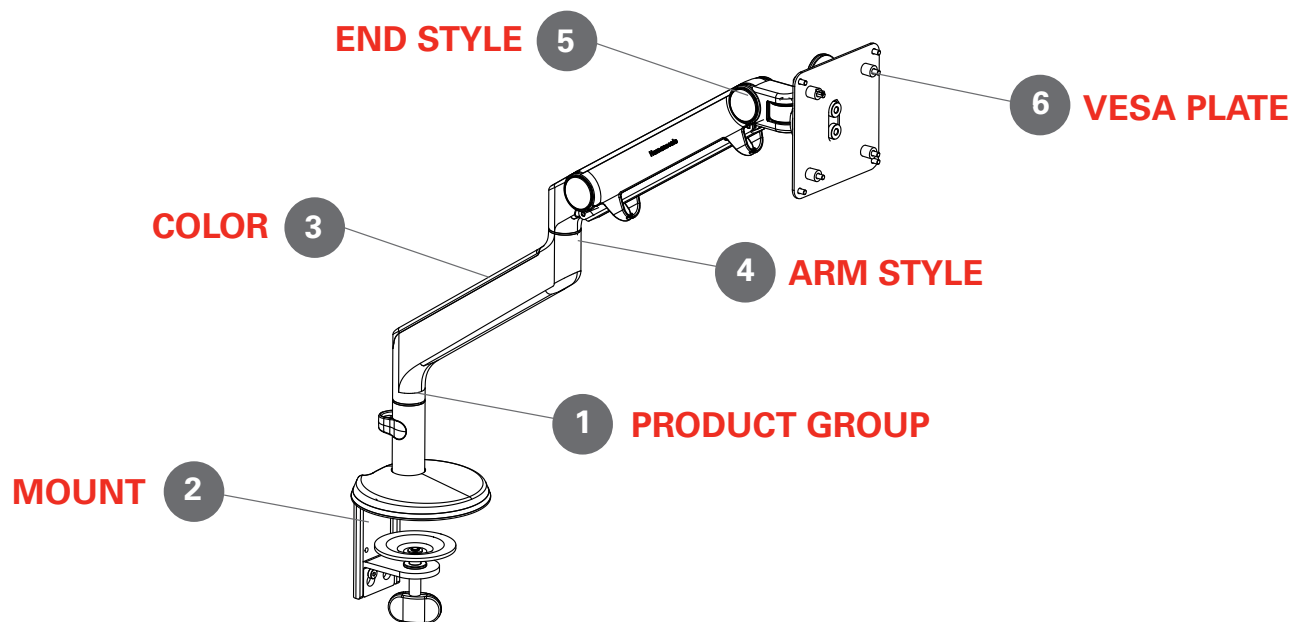
COMPONENT	CODE	DESCRIPTION	LIST PRICE
<b>Front-End Adjuster</b>	UFEA-S-M8 <sup>1</sup>	Universal Front-End Adjuster for M2 and M8 - Silver	\$125

<sup>1</sup> Available Second Quarter 2011

## Build Your M8 Product Code

To determine the list price for your monitor arm solution, identify your choice for each component and build the product code as shown below. Add the prices for all the options selected.

PRODUCT GROUP	MOUNT	COLOR	ARM STYLE	END STYLE	VESA PLATE	INDIVIDUAL PACKAGING
1	2	3	4	5	6	7
— —	—	—	—	—	—	—



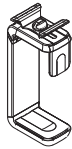
**FLORIDA DISCOUNT ON CPU HOLDER**

	DISCOUNT
FROM DOLLAR ONE \$1 - 50,000 .....	68%
\$50,001 - 150,000 .....	69%

Note: All prices are list. Use applicable GSA discount to calculate GSA pricing.

## Ergonomic Accessories

### CPU Holders



<b>CPU600</b> (Black)	\$168
<b>CPU600W</b> (White)	\$168

Fits CPUs 3.5" to 9"  
wide by 12" to 20" high  
Max CPU Weight: 50 lbs.

Installed Dimensions:  
7" or CPU Width + 1.7" (whichever is  
greater), CPU Height + 3.6"

# Build-Your-Own Element Light

## FLORIDA DISCOUNT ON ALL LIGHT SYSTEMS

DISCOUNT  
 FROM DOLLAR ONE \$1 - 50,000 ..... 67%  
 \$150,001+ ..... NEGOTIABLE  
 Note: All prices are list. Use applicable GSA discount to calculate GSA pricing.

To create the product code for your Element Light, simply choose your preferred style, plug, mount, and color, and combine the respective codes for each.

Element Light Product Code:

<b>1</b>	<b>2</b>	<b>3</b>	<b>4</b>
Style	Plug	Mount	Color

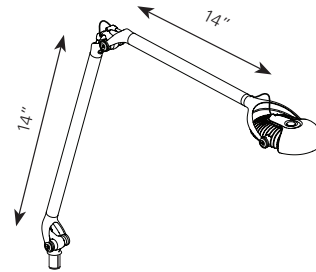
**Element Light Replacement Parts**  
(if purchased separately)

ELEMENT LIGHT MOUNTS		
<b>Element Desktop Base</b>	<b>ELBS</b> (silver)	\$85
<b>Clamp</b> For grommet or edge mount	<b>DLCS</b> (silver)	\$35
<b>2-Piece Clamp</b> For edge mount	<b>DLKS</b> (silver)	\$50
<b>Universal Slatwall</b>	<b>DLSS</b> (silver)	\$35
<b>Grommet Cover</b>	<b>DLGC</b> (black)	\$10

*For use with Clamp Mount C*

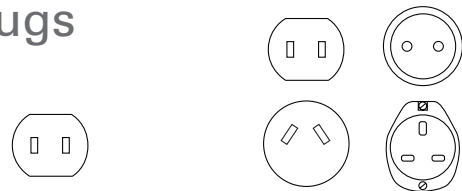
Note: All Silver lights ship with Silver mounts.

## 1 Style



**EL** \$395  
**Element Classic: 7-Watt MCX LED Light**

## 2 Plugs



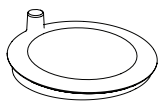
**E**  
**North America**

N/C

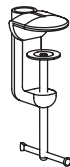
**U** Add \$4  
**Universal**

(4 Interchangeable plugs)

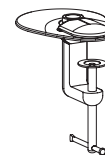
## 3 Mount



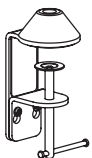
**B** Add \$50  
**Element Desktop Base**  
 8" diameter



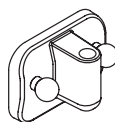
**C** N/C  
**Clamp**  
 For grommet or edge mount. Fits surfaces up to 2" thick and grommet holes 2" or more in diameter.



**G** Add \$10  
**Clamp with Grommet Cover**  
 For grommet holes 2" - 3.25" in diameter.



**K** Add \$15  
**2-Piece Clamp**  
 Requires minimum 1/4" clearance between desk and wall or panel.



**S** N/C  
**Universal Slatwall**  
 Adjusts to fit most standard slatwalls.

## 4 Color

**S**  
**Silver**

# Build-Your-Own Diffrient Light

## FLORIDA DISCOUNT ON ALL LIGHT SYSTEMS

FROM DOLLAR ONE \$1 - 50,000 ..... DISCOUNT 67%  
 \$150,001+ ..... NEGOTIABLE  
 Note: All prices are list. Use applicable GSA discount to calculate GSA pricing.

### Work Light II

To create the product code for your Diffrient Light, simply choose your preferred style, mount, color and lamp, and combine the respective codes for each.

Work Light II Product Code:

1

2

3

4

Style

Mount

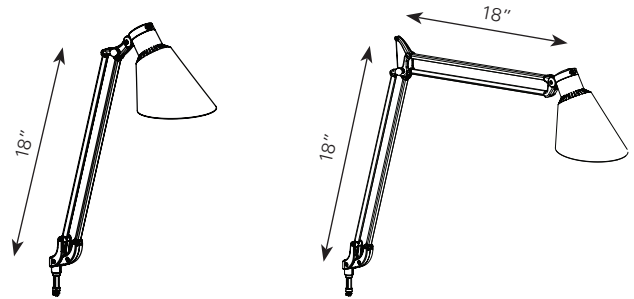
Color

Lamp

## 1 Style

### DIFFRIENT WORK LIGHT II (DX SERIES)

E26 socket compatible with screw-in bulbs up to 60W.



**DX1E** \$290  
Single Arm with Work Shade

**DX2E** \$322  
Double Arm with Work Shade

### Diffrient Light Replacement Parts

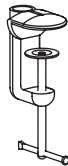
*(if purchased separately)*

WORK LIGHT II MOUNTS (DX SERIES)		
Diffrient Desktop Base	DLBS (silver)	\$125
Clamp For grommet or edge mount	DLCS (silver)	\$35
2-Piece Clamp For edge mount	DLKS (silver)	\$50
Universal Slatwall	DLSS (silver)	\$35

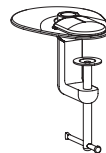
## 2 Mount



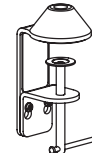
**B** Add \$90  
**Diffrient Desktop Base**  
9" diameter



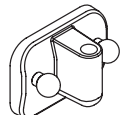
**C** N/C  
**Clamp**  
For grommet or edge mount. Fits surfaces up to 2" thick and grommet holes 2" or more in diameter.



**G** Add \$10  
**Clamp with Grommet Cover**  
For grommet holes 2" - 3.25" in diameter.



**K** Add \$15  
**2-Piece Clamp**  
Requires minimum 1/4" clearance between desk and wall or panel.



**S** N/C  
**Universal Slatwall**  
Adjusts to fit most standard slatwalls.

## 3 Color

**S**  
Silver

## 4 Lamp

### DIFFRIENT WORK LIGHT II (DX SERIES)

**1** 18W, 3500K, E26 socket (standard) N/C

# Build-Your-Own Diffrient Light

## Work Light II

To create the product code for your Diffrient Light, simply choose your preferred style, mount, color and lamp, and combine the respective codes for each.

Work Light II Product Code:

1

2

3

4

Style

Mount

Color

Lamp

**Diffrient Light Replacement Parts**  
*(if purchased separately)*

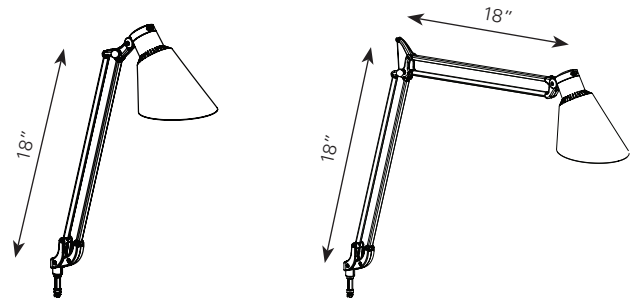
**WORK LIGHT II MOUNTS (DX SERIES)**

Diffrient Desktop Base	DLBS (silver)	\$125
Clamp For grommet or edge mount	DLCS (silver)	\$35
2-Piece Clamp For edge mount	DLKS (silver)	\$50
Universal Slatwall	DLSS (silver)	\$35

## 1 Style

### DIFFRIENT WORK LIGHT II (DX SERIES)

E26 socket compatible with screw-in bulbs up to 60W.



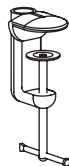
**DX1E** \$290  
Single Arm with Work Shade

**DX2E** \$322  
Double Arm with Work Shade

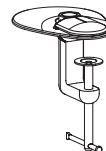
## 2 Mount



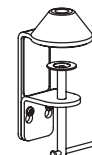
**B** Add \$90  
**Diffrient Desktop Base**  
9" diameter



**C** N/C  
**Clamp**  
For grommet or edge mount. Fits surfaces up to 2" thick and grommet holes 2" or more in diameter.



**G** Add \$10  
**Clamp with Grommet Cover**  
For grommet holes 2" - 3.25" in diameter.



**K** Add \$15  
**2-Piece Clamp**  
Requires minimum 1/4" clearance between desk and wall or panel.



**S** N/C  
**Universal Slatwall**  
Adjusts to fit most standard slatwalls.

## 3 Color

**S**  
Silver

## 4 Lamp

### DIFFRIENT WORK LIGHT II (DX SERIES)

**1** 18W, 3500K, E26 socket (standard) N/C

## Humanscale and the Environment

RECYCLED MATERIALS			
Product	Recycled Content	Recyclable Content	LEED Recycled Content Post-Consumer +1/2 Pre-Consumer
Diffrient Task and Work Light with Base	90% recycled (63% Post-Consumer, 27% Pre-Consumer)	90% recyclable	77%
Diffrient Technology Light	38% recycled (13% Post-Consumer, 25% Pre-Consumer)	98% recyclable	26%
Element Light, Element 790	81% recycled (55% Post-Consumer, 26% Pre-Consumer)	99% recyclable	68%
Tolomeo Light	77% recycled (40% Post-Consumer, 27% Pre-Consumer)	87% recyclable	52%
Freedom Chair	62% recycled (43% Post-Consumer, 19% Pre-Consumer)	90% recyclable	53%
Freedom Saddle/ Pony Saddle	59% recycled (41% Post-Consumer, 18% Pre-Consumer)	90% recyclable	50%
Liberty Chair	54% recycled (32% Post-Consumer, 22% Pre-Consumer)	93% recyclable	43%
Liberty Side Chair	85% recycled (49% Post-Consumer, 36% Pre-Consumer)	93% recyclable	67%
Cinto chair	26% recycled (15% Post-Consumer, 11% Pre-Consumer)	100% recyclable	21%
Diffrient World Chair	34% recycled (10% Post-Consumer, 24% Pre-Consumer)	97% recyclable	22%
M2 Monitor Arm	52% recycled (46% Post-Consumer, 6% Pre-Consumer)	99% recyclable	49%
M8 Monitor Arm	62% recycled (43% Post-Consumer, 19% Pre-Consumer)	99% recyclable	53%
M7 Monitor Arm	90% recycled (63% Post-Consumer, 27% Pre-Consumer)	100% recyclable	77%
M4 Monitor Arm	67% recycled (47% Post-Consumer, 20% Pre-Consumer)	100% recyclable	57%
Paramount	48% recycled (33% Post-Consumer, 15% Pre-Consumer)	99% recyclable	41%
Access Rail	98% recycled (70% Post-Consumer, 28% Pre-Consumer)	100% recyclable	84%
Keyboard Systems	25% recycled (15% Post-Consumer, 10% Pre-Consumer)	80% recyclable	20%
CPU600, CPU200	51% recycled (34% Post-Consumer, 17% Pre-Consumer)	99% recyclable	43%
CPU555, CPU450, CPU300, CPU Dolly	30% recycled (21% Post-Consumer, 9% Pre-Consumer)	90% recyclable	26%
NeatLinks	50% recycled (50% Post-Consumer, 0% Pre-Consumer)	100% recyclable	50%
L6	30% recycled (23% Post-Consumer, 7% Pre-Consumer)	90% recyclable	27%

## Humanscale Terms and Conditions

THE FOLLOWING TERMS & CONDITIONS APPLY TO ALL HUMANSCALE PRODUCTS.

### TERMS OF PAYMENT

Upon approved credit, terms of payment are net 30 from date of shipment. Deposits may be required for large or custom orders. The processing of orders and/or shipment of orders placed may be delayed if the deposit is not received with the order or if customer's account is in "Past Due" status.

### CREDIT POLICY

All customers of Humanscale must complete a credit application, with current information, which must be signed by an owner or officer. A line of credit may be set by our Credit Department, however the basis for the line of credit may be changed or cancelled at our discretion and advance payment may be required. Any unpaid balance, upon which payments are not made according to the terms governing the sale, will be considered "Past Due" and will increase by a maximum of 2% per month, without forfeit of Humanscale's right to payment.

Any customer who has failed to pay for goods delivered or services rendered in a timely manner shall be liable for all fees, expenses, disbursements, and charges (including all legal costs) incurred by Humanscale in collecting monies owed, as well as interest (at 24% per annum).

### PURCHASE ORDERS

Purchase orders must include the following: "Bill To" and "Ship To" information—Company Name (Ship To company may be end user or installation company), Address, Telephone, Fax, Contact Person; End User Company Name; Requested Ship Date; Purchase Order Number; Special Delivery, Shipping and Packing Instructions (if applicable); Proper Discount Off Current List Price, Product Quantities and Full Model Numbers; and Total (List/Net).

### ORDER CHANGES & CANCELLATIONS

All changes to or cancellations of orders placed with Humanscale must be in writing and sent to Customer Service. Orders may be changed or cancelled without penalty if Humanscale is notified at least two (2) weeks before the scheduled ship date for standard orders (under 250 units), or at least three (3) weeks before the scheduled ship date for large orders (250 units or more). Order changes or cancellations made less than two (2) weeks before the scheduled ship date for standard orders or less than three (3) weeks before the scheduled ship date for large orders will incur a minimum change/cancellation fee of 10% of net. Irrespective of when notified, changes or cancellations are not binding upon Humanscale until Humanscale issues a written acknowledgment of the change or cancellation. Order changes are defined as the deletion of line items; changes in style, color, quantity or requested ship date; or ship-to address changes. Order changes that result in a quantity reduction may be subject to an additional small order fee or adjustment in pricing. Under no

circumstances will changes or cancellations be accepted on any custom fabric, special order or custom product orders.

**TAXES**

Humanscale list prices do not include sales tax. Customer is responsible to remit all such tax. Humanscale requires a State Resale/Exemption Certification to be on file at its main office. Sales made without said Certificate will be charged the appropriate sales tax.

1. Note damage on the delivery receipt at time of delivery.
2. Refuse product at time of delivery.
3. Contact Humanscale Customer Service within 24 hours of the attempted delivery and advise them of the damage.
4. Enter a chargeable replacement order; credit will be issued after the disposition of damaged product is determined.

**CONCEALED DAMAGE/LOSS**

If customer determines that there is internal damage not visible at time of delivery, customer will retain all packaging materials and take the following action steps within fifteen (15) calendar days from the date of delivery:

1. Request inspection by calling local freight carrier to report damage.
2. Retain merchandise in the original box.
3. Call your Humanscale Customer Service agent to provide order and product information.
4. Get a copy of the inspection report from carrier.
5. Enter a chargeable replacement order; credit will be issued after the disposition of damaged product is determined.

**STORAGE**

If a customer is unable to accept a scheduled product delivery, Humanscale, if notified in writing after product assembly and prior to the scheduled ship date, will store the product at customer’s expense. Humanscale shall invoice customer for the product and monthly Storage Fees.

Storage Fees will be 1% of the net order value per month or actual storage costs—whichever is greater. Storage Fees are calculated with a one-month minimum and will not be pro-rated. If customer is unable to accept a scheduled product upon delivery, customer shall be responsible for placing the product in storage and bears the risk of loss. However, payment of the balance due is per Humanscale’s Terms of Payment.

**RETURN AUTHORIZATIONS & REFUSALS**

All returned and non-damaged refused orders are subject to a five percent (5%) restocking fee. Seating and special order returns will not be accepted. Customer must request a Return Authorization through the Humanscale Customer Service Department within 45 days of product receipt to return any product. If Humanscale agrees to restock the product, customer must return it freight prepaid to Humanscale, F.O.B., to the original shipping point or as otherwise instructed by Humanscale Customer Service. If product is returned without a Return Authorization, Humanscale will notify customer of the unauthorized return and customer must provide instructions for its disposition within one week thereafter. Failure of customer to respond within one week will result in Humanscale’s right to dispose of the product with no credit. Return Authorizations expire sixty (60) days after the date of issue. If the returned product is not in resalable condition, customer will not receive credit for the return. Customer must promptly provide a purchase order or other acceptance of fees/credit reduction as required.

**WARRANTY**

THE FOLLOWING WARRANTY IS IN LIEU OF ALL OTHER WARRANTIES EXPRESS OR IMPLIED, INCLUDING, BUT NOT LIMITED TO, THE IMPLIED WARRANTY OF MERCHANTABILITY AND FITNESS FOR A PARTICULAR PURPOSE AND ALL OTHER WARRANTIES ARISING FROM COURSE OF DEALING OR USAGE OF TRADE.

Humanscale offers the following warranties on its products:

PRODUCT	WARRANTY
Customer’s Own Material (COM, COL)	No Warranty
CFL Light Bulbs	1 Year, Single-Shift Warranty
Switch Mouse	1 Year, 24/7 Warranty
Artemide Tolomeo Light	2 Years, 24/7 Warranty
Diffrient Light	5 Years, 24/7 Warranty
Fabric/Cushions/Arm Pads	5 Years, Single-Shift Warranty
Element Light, Including Light Source	10 Years, 24/7 Warranty
M4, M7 & M8 Monitor Arms with Gas Cylinder Components	10 Years, 24/7 Warranty
All seating and other products detailed in a current Humanscale Price Guide, unless otherwise specified	15 Years, 24/7 Warranty
All other products NOT detailed in a current Humanscale Price Guide	Varies; consult your Humanscale representative for details

This Warranty is applicable to the initial purchaser only and is non-transferable. If products are procured through authorized Humanscale Dealerships, the end-user customer must be registered with Humanscale for the warranty to be in effect. Humanscale warrants that, at the time of customer’s receipt, the product will be in good working order and will be free from defects in material and workmanship. This Warranty does not apply to normal wear and tear or damage caused by accident, neglect, misuse or improper installation or operation. Humanscale will not be responsible for damage due to service, maintenance, modifications or tampering by anyone other than a Humanscale authorized representative. In the event a product is defective and Humanscale receives written notice of the defect within the Warranty period, Humanscale, at its option, will either repair or replace the defective product. This Warranty does not cover damage caused by a carrier or transportation of the product from one location to another, or alterations made by owner.

**LIMITATION OF LIABILITY**

Purchaser’s remedies set forth herein are exclusive and the liability of Humanscale with respect to the breach of this agreement or any contract entered into between the parties pursuant hereto shall not exceed the price of the product or part on which such liability is based. In no event will Humanscale be liable to purchasers for any special, collateral, incidental or consequential damages however caused, whether by Humanscale’s negligence or otherwise.

The remedies provided above are the purchaser’s sole remedies for any failure of Humanscale to comply with its obligations regarding the workmanship of its products. Correction of any nonconformity in the manner and for the period of time provided shall constitute complete fulfillment of all liabilities of Humanscale, with respect to or arising out of the product furnished hereunder.

**PRICES**

All discounts and list prices are subject to change without notice. Prices are those in effect at the time of order entry. If the requested shipment date is more than 90 days after the order date, Humanscale reserves the right to price said order based on the published list price as of the shipment date.

**SMALL ORDER FEE**

A 3% small order fee applies to all invoiceable orders of \$1,500 net or less, including billable replacement parts, regardless of product category.

**SHIPPING AND DELIVERY**

All Humanscale orders are acknowledged with a promise date (scheduled ship date) based on the product with the longest lead time. Large orders may increase standard lead times. Standard shipping charges will be billed to customer. Custom platform orders require 4 to 6 weeks.

Seating orders, unless otherwise specified, will ship 4 to 6 weeks from the date of order. Unless otherwise contractually specified, Diffrient World, Freedom and Liberty chairs will ship with the base and frame disassembled. Chairs can be easily assembled in seconds without use of tools. Blanket-wrapped shipping is available for full truckloads of 200 or more Diffrient World, Freedom or Liberty Task and Conference chairs. Consult your Humanscale representative for blanket-wrapped shipping requirement for Cinto and the Liberty Side chair.

**Ship Sets:** All products ordered on a single purchase order will be delivered together in a single ship set. To break a ship set, customers must indicate “Ship as Available” on the purchase order. Upon request, customer accounts may be defaulted to ship all orders on an as-available basis.

**Shipping Instructions:** Humanscale will attempt to accommodate basic shipping instructions, such as “call ahead” or “deliver before 12:00 p.m.,” if clearly identified on the purchase order as “Shipping Instructions.”

**Packing Instructions:** Humanscale will attempt to accommodate basic packing instructions for internal delivery of specific items on an order, such as “Deliver to Joe Smith” or “Deliver to cube #218,” if clearly identified on the purchase order as “Packing Instructions.”

**DELIVERY SHORTAGES**

Product shortages must be noted at the time of delivery and reported to the carrier for correction. Claims against Humanscale for shortages, errors, etc., must be made in writing and within three (3) days of the date of delivery or customer waives its right to make such a claim.

**FREIGHT CLAIMS**

Humanscale will file all F.O.B. destination claims. In order to receive credit, customer agrees to cooperate and assist in the procedures set out by the carrier and Humanscale.

**EXTERNAL DAMAGE**

If the shipping container shows any external damage, customer is instructed to refuse the product at time of delivery. If it is a multiple piece shipment, customer may refuse only the damaged items. Humanscale will not issue full credit for returned product unless customer takes the following action steps:



# Keyboards, Ergo Tools and Monitor Arms

## State of Florida Price Guide

### U.S. Headquarters

11 East 26th Street  
8th Floor  
New York, NY 10010  
212 725 4749  
212 725 7545 fax

### Customer Service

10 Inverness Drive East  
Suite 100  
Englewood, CO 80112  
800 400 0625  
303 858 9912  
303 858 9916 fax  
info@humanscale.com

### European Headquarters

13 Northburgh Street  
London  
EC1V 0JP  
United Kingdom  
+44 207 566 7990  
+44 207 566 7991 fax  
info@humanscale.co.uk

[www.humanscale.com](http://www.humanscale.com)

### ***Our Design Philosophy***

*At Humanscale, we believe the best designs in the world are based on purpose and function. If a design solves a functional problem as simply and elegantly as possible, the resulting form will be honest and timeless.*

***Recognized by I.D. Magazine as one of the 10 "Best Companies" worldwide that help push design forward.***