

Components for Breakdown

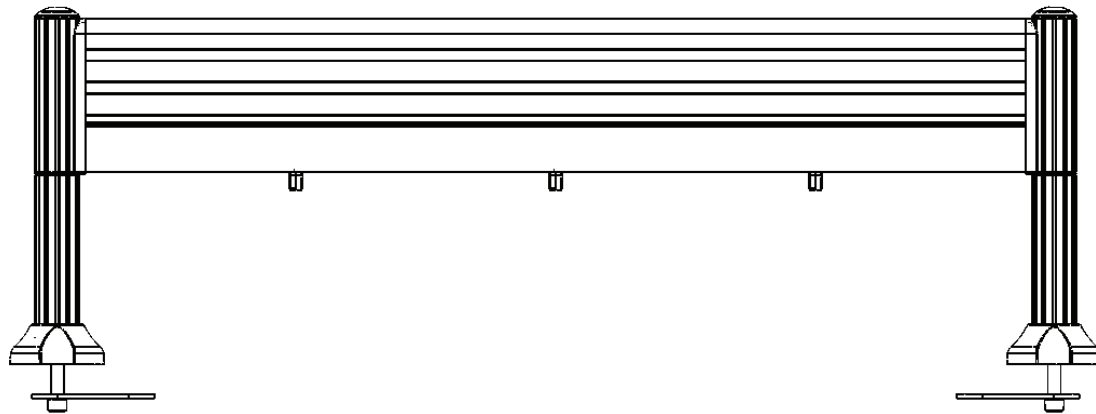
Tools Required



Safety Glasses



Metric Hex Key Set



Tools Required



Safety Glasses



Metric Hex Key Set

1. Rail

Step 1

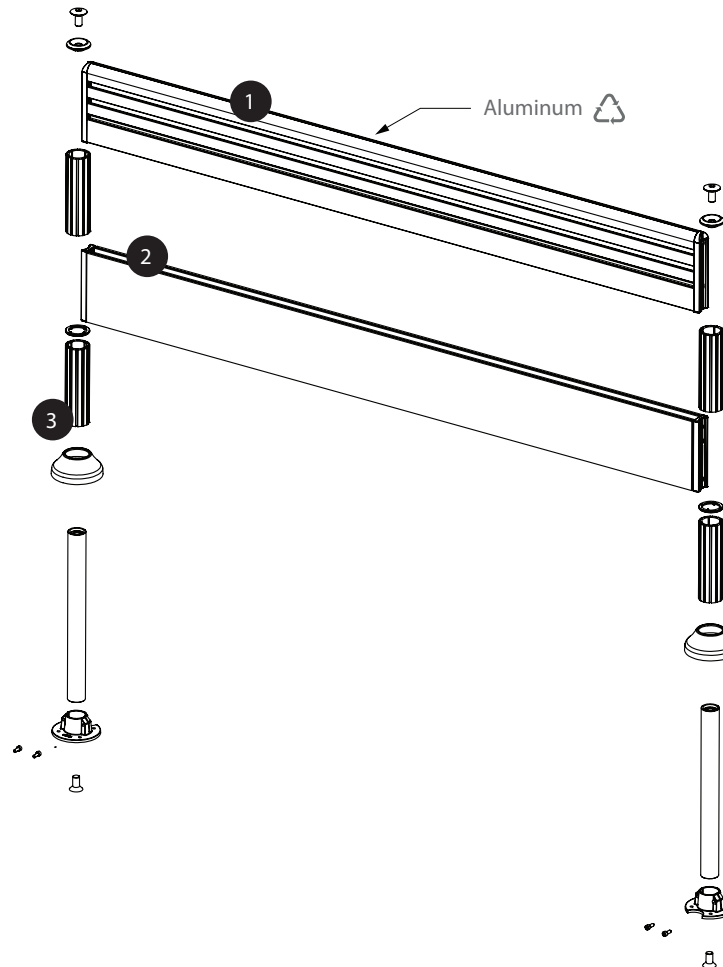
Slide main rail up out of post grooves

Step 2

Disassemble inside panels and side brackets (see section 2)

Step 3

Disassemble posts (see section 3)



Tools Required



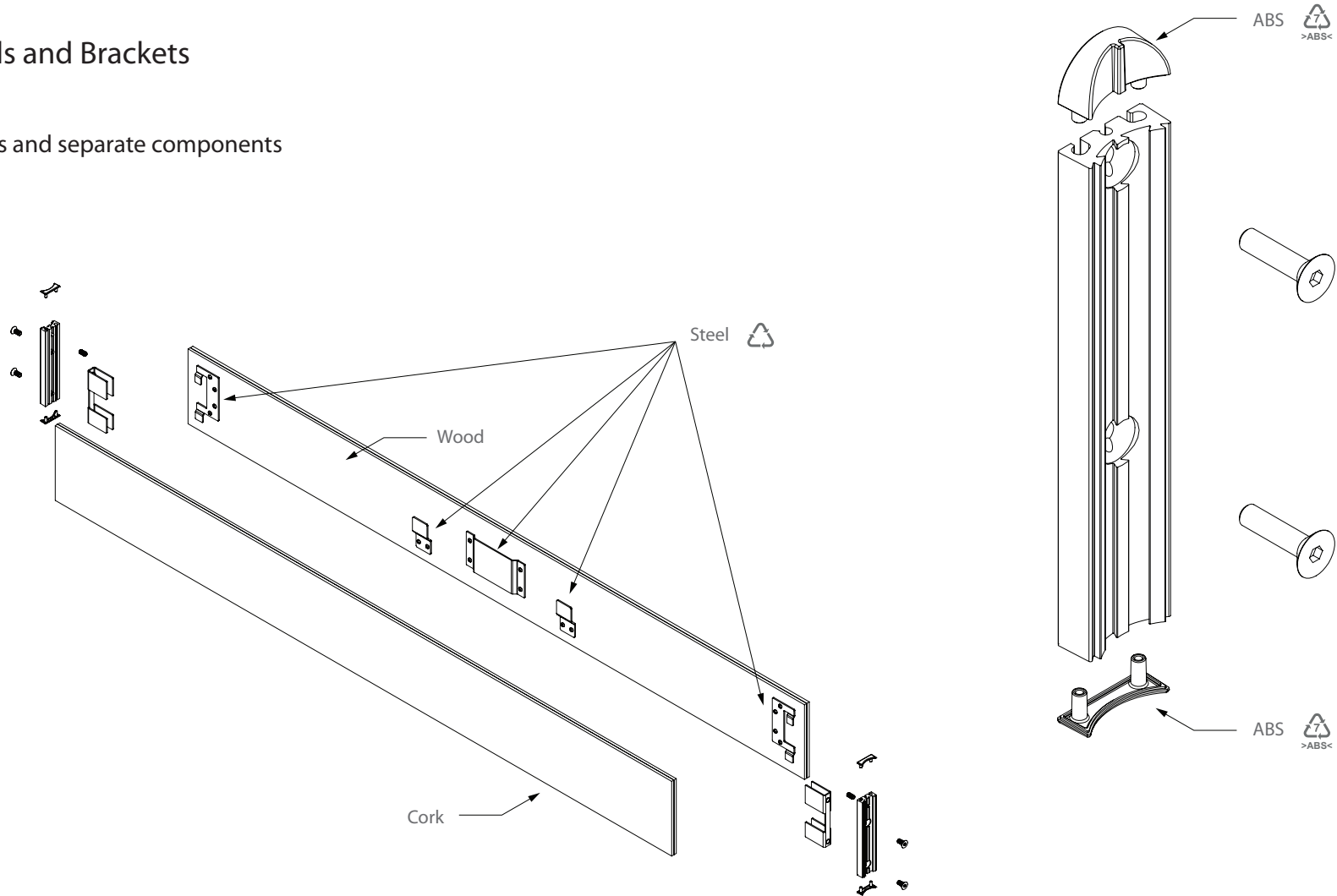
Safety Glasses



Metric Hex Key Set

2. Inside Panels and Brackets

Remove all screws and separate components



Tools Required



Safety Glasses



Metric Hex Key Set

3. Post

Step 1
Remove screw on top of post

Step 2
Slide brackets off of post

Step 3
Remove screws from base to disconnect post

